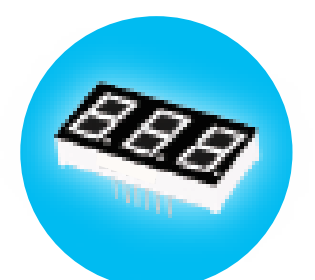
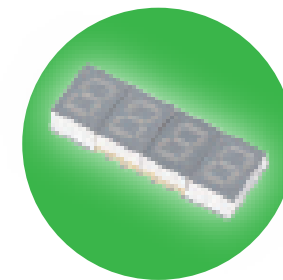
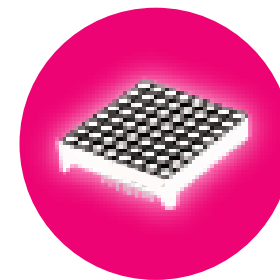


LED



ISO 9001:2008

Hong Kong Office:
Optosupply Limited

Unit 1207, 12/F., Wah Yiu Industrial Centre,
30-32 Au Pui Wan Street,
Fo Tan, N.T., Hong Kong.
Tel: (852) 2790 5099 (8 Lines)
Fax: (852) 2342 9833
E-mail: sales-hk@optosupply.com
Website: www.optosupply.com

香港寫字樓：
光谷有限公司
香港新界火炭坳背灣街30-32號華耀工業中心12樓1207室

Factory:
Optosupply Electronics (SZ) Limited

Optosupply Electronics (SZ) Limited
Tai Po South Road No. 7, Longdong
Village, Longgang District,
Shenzhen, P.R.C.
Tel: (86) 0755-8484 6601 (12 Lines)
Fax: (86) 0755-8484 6596

工廠：
光源電子（深圳）有限公司
深圳市龍崗鎮龍東村龍湖路大埔南7號

Display Products

LED & Electronics Application Technologies

We have been improving our production processes and environment continuously. Our own in-house production lines are fully automated, key machines include wire and die bonding, auto encapsulation, auto Bin classification and tape & reel packaging which are imported from overseas. We undertake all the production processes in class 10K clean room with temperature, humidity and ESD control.

Quality Control

OptoSupply's devotion to quality control is never-ending. In addition to attaining ISO9001:2000 quality accreditation, OptoSupply has established its own independent Quality Engineering Centre, which comprises three individual laboratories:

- Reliability Test Lab
- Photometric Lab
- Failure Analysis Lab

These laboratories conduct a wide array of reliability tests-including tests for shock resistance, life span and thermal shock-to ensure that only the highest quality OptoSupply products are delivered to our valuable customers. OptoSupply's quality assurance experts are devoted to achieving:

- Precision emission patterns
- High degree of color consistency
- High durability
- High reliability to withstand the temperature, humidity and ultraviolet
- Conditions of real outdoor environments



LED Lamp Bond Machine



Top View SMD Bin Sorter



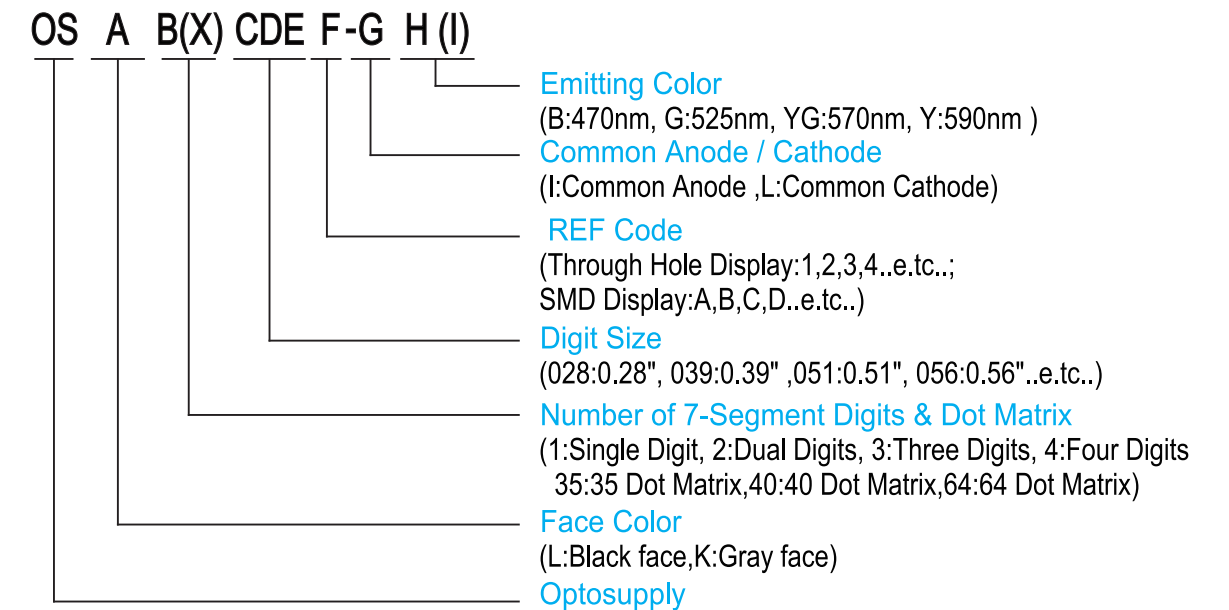
LED Application Production Line

We continue to focus on the development of related LED products application in order to extend the company's production line. We have been improving our production processes and environment continuously. Our own In-house production lines are fully automated key machines, include Lead-Free N2 /AIR Reflow Soldering Machine and Automatic Lead-Free Dual Ware Soldering Machine.

CONTENTS

Through-hole Display..... 1-24
Dot Matrix 25-35
SMD Display..... 36-43

DISPLAY PART NUMBER FORMATION



RoHS Compliance



Pb free.



About OptoSupply

We are a Hong Kong based LED manufacturer with our headquarter in Hong Kong and wholly owned factory located in Shenzhen of China. Owing the advance automatic machines and professional engineers. We strive to serve our worldwide customers with the full range of LED models at the most reasonable price vs. the highest brightness and the best quality and customer service.



Optosupply Limited

Main Products:

- Through-Hole LED
- SMD LED
- Super Flux LED
- High Power LED
- LED Light Strip
- Digit Display & Dot Matrix
- OEM (original equipment manufacturing) Product
- ODM (original design manufacturing) Product



LED Plasma Cleaner

Achievement:

- Renewed our website with new style in 2016
- Launched more new products into product line regularly during 2012-2016
- Introduced more technology and increased new equipments in 2011
- Increased two new super flux LED production lines and power LED production line in 2010
- Added two more SMD production lines in 2010
- Added assembly production line in 2009
- Added Plasma Cleaner for strengthening product quality in 2009
- Added a new SMD production line in 2009
- Got ISO9001: 2008 certification and ISO14001: 2004 certification in 2008
- Got REACH and SVHC certification in 2008
- Moved Hong Kong office to Fo Tan in 2006
- Got RoHS certification in 2005
- Expanded LED lamp production capacity to 2KK per day since 2004
- Expanded manufacturing floor space to 5,000 square meters in 2004
- Moved production plant to Longgang in 2004
- Obtained ISO9001: 2000 certification in 2003
- Founded in 2001 in Hong Kong

Manufactory Technology

Through continuous research and development, **OptoSupply** pioneer applications for LEDs that create new value for our customers. The Group's dedicated R&D team is committed to developing innovative new applications for LED components. As **OptoSupply** engineers explore the immense untapped potential of LED technology, one of the Group's top priorities is to create new applications to make our customers' dreams become reality.

To achieve its goals, our R & D team focuses on three directions, namely materials, process and optics innovation. We strive to improve LED performance by deploying non-imaging optics technique, including ray tracing and LED light source optical modeling.

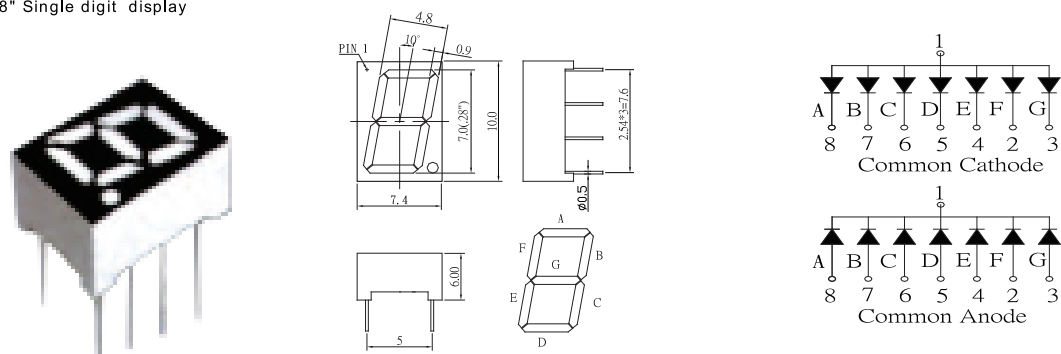
From deploying vertical integration to ensuring flexibility and speed, **OptoSupply** manufacturing facilities are engineered to meet the diverse needs of our customers and OEM partners worldwide.



LED Lamp Assembly

Package Dimension / Internal Circuit

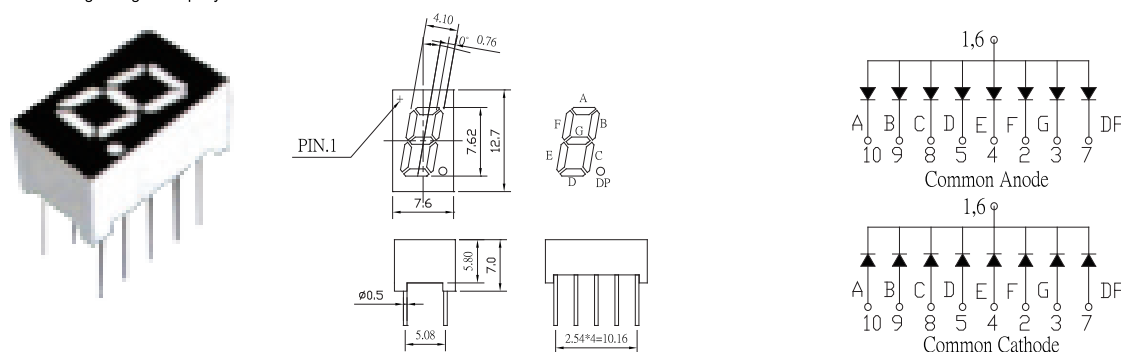
0.28" Single digit display



Part Number		Color	Wavelength(nm) λ D @ IF=20mA	V _f (V) @ IF=20mA	I _v (mcd) @ IF=20mA
Common Anode	Common Cathode				
	OSL10282-IB	Blue	465	3.1	50
	OSL10282-IG	Pure Green	525	3.1	200
	OSL10282-IYG	Yellow Green	571	2.1	12
	OSL10282-IY	Yellow	590	2.1	60
	OSL10282-IO	Orange	605	2.1	70
	OSL10282-IR	Red	630	2.1	26
	OSL10282-IRA	Super Bright Red	625	2.1	100

Package Dimension / Internal Circuit

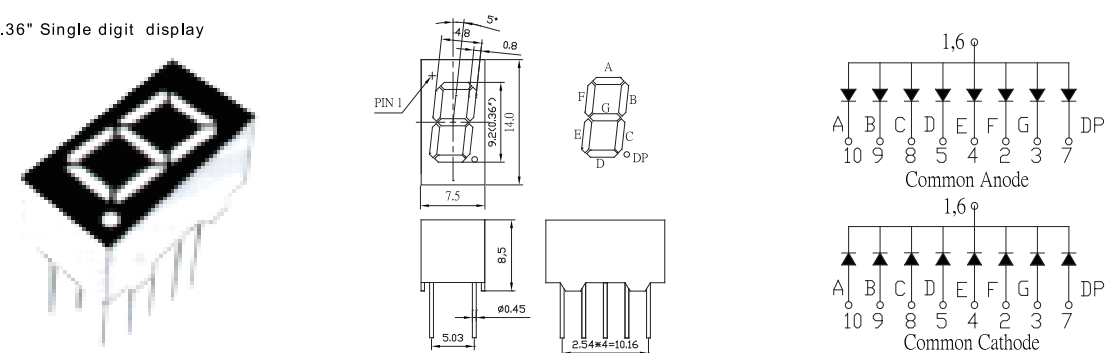
0.30" Single digit display



Part Number		Color	Wavelength(nm) λ D @ IF=20mA	V _f (V) @ IF=20mA	I _v (mcd) @ IF=20mA
Common Anode	Common Cathode				
	OSL10301-IW	White	10000K	3.1	65
	OSL10301-IB	Blue	465	3.1	50
	OSL10301-IG	Pure Green	525	3.1	200
	OSL10301-IYG	Yellow Green	571	2.1	12
	OSL10301-IY	Yellow	590	2.1	60
	OSL10301-IO	Orange	605	2.1	70
	OSL10301-IR	Red	630	2.1	26
	OSL10301-IRA	Super Bright Red	625	2.1	100

Package Dimension / Internal Circuit

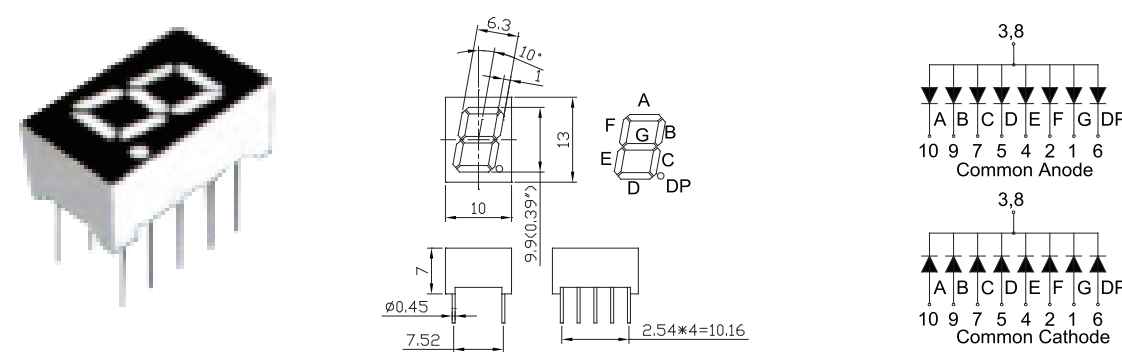
0.36" Single digit display



Part Number		Color	Wavelength(nm) λ D @ IF=20mA	V _f (V) @ IF=20mA	I _v (mcd) @ IF=20mA
Common Anode	Common Cathode				
	OSL10361-IW	White	10000K	3.1	65
	OSL10361-IB	Blue	465	3.1	50
	OSL10361-IG	Pure Green	525	3.1	200
	OSL10361-IYG	Yellow Green	571	2.1	12
	OSL10361-IY	Yellow	590	2.1	60
	OSL10361-IO	Orange	605	2.1	70
	OSL10361-IR	Red	630	2.1	26
	OSL10361-IRA	Super Bright Red	625	2.1	100

Package Dimension / Internal Circuit

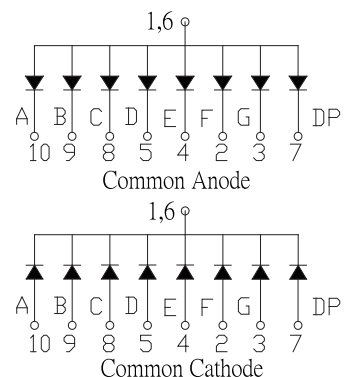
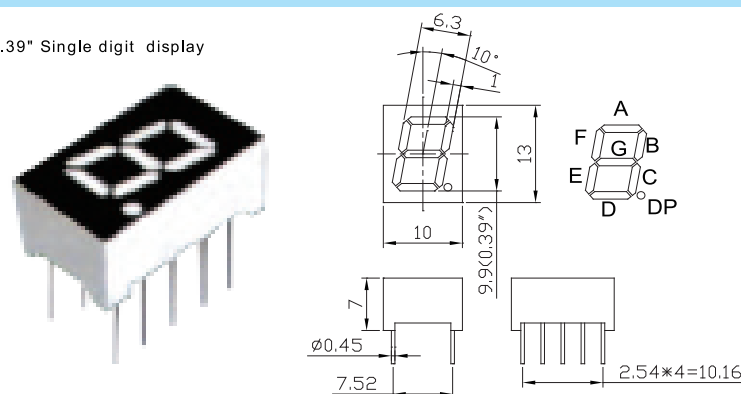
0.39" Single digit display



Part Number		Color	Wavelength(nm) λ D @ IF=20mA	V _f (V) @ IF=20mA	I _v (mcd) @ IF=20mA
Common Anode	Common Cathode				
	OSL10391-IW	White	10000K	3.1	65
	OSL10391-IB	Blue	465	3.1	50
	OSL10391-IG	Pure Green	525	3.1	200
	OSL10391-IYG	Yellow Green	571	2.1	12
	OSL10391-IY	Yellow	590	2.1	60
	OSL10391-IO	Orange	605	2.1	70
	OSL10391-IR	Red	630	2.1	26
	OSL10391-IRA	Super Bright Red	625	2.1	100

Through-hole Display
Package Dimension / Internal Circuit

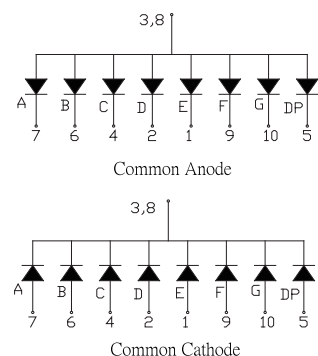
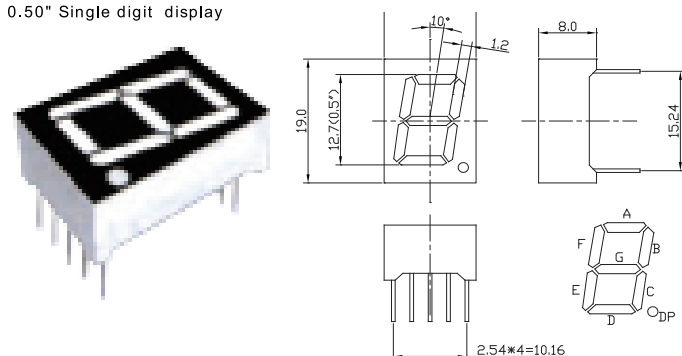
0.39" Single digit display



Part Number		Color	Wavelength(nm) λ D @ IF=20mA	V _f (V) @ IF=20mA	I _v (mcd) @ IF=20mA
Common Anode	Common Cathode				
OSL10393-IW	OSL10393-LW	White	10000K	3.1	65
OSL10393-IB	OSL10393-LB	Blue	465	3.1	50
OSL10393-IG	OSL10393-LG	Pure Green	525	3.1	200
OSL10393-IYG	OSL10393-LYG	Yellow Green	571	2.1	12
OSL10393-IY	OSL10393-LY	Yellow	590	2.1	60
OSL10393-IO	OSL10393-LO	Orange	605	2.1	70
OSL10393-IR	OSL10393-LR	Red	630	2.1	26
OSL10393-IRA	OSL10393-LRA	Super Bright Red	625	2.1	100

Package Dimension / Internal Circuit

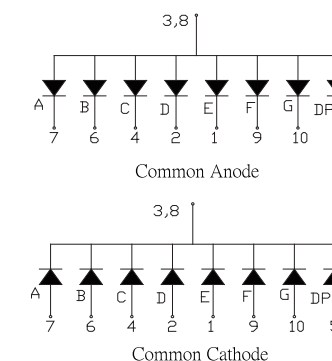
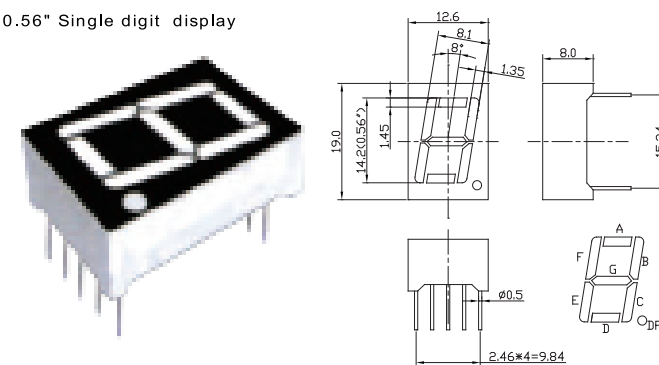
0.50" Single digit display



Part Number		Color	Wavelength(nm) λ D @ IF=20mA	V _f (V) @ IF=20mA	I _v (mcd) @ IF=20mA
Common Anode	Common Cathode				
OSL10501-IW	OSL10501-LW	White	10000K	3.1	65
OSL10501-IB	OSL10501-LB	Blue	465	3.1	50
OSL10501-IG	OSL10501-LG	Pure Green	525	3.1	200
OSL10501-IYG	OSL10501-LYG	Yellow Green	571	2.1	12
OSL10501-IY	OSL10501-LY	Yellow	590	2.1	60
OSL10501-IO	OSL10501-LO	Orange	605	2.1	70
OSL10501-IR	OSL10501-LR	Red	630	2.1	26
OSL10501-IRA	OSL10501-LRA	Super Bright Red	625	2.1	100

Through-hole Display
Package Dimension / Internal Circuit

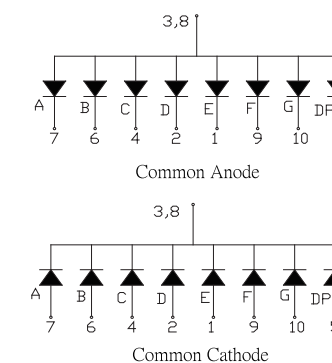
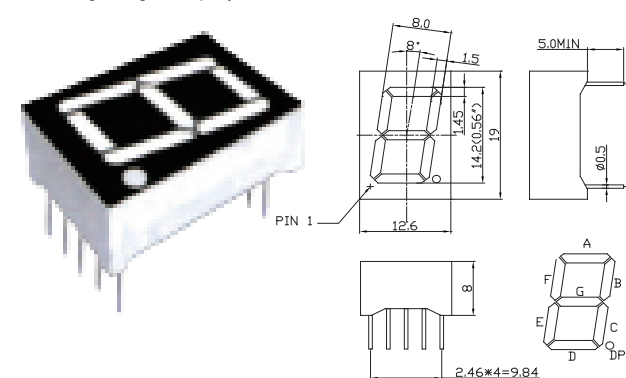
0.56" Single digit display



Part Number		Color	Wavelength(nm) λ D @ IF=20mA	V _f (V) @ IF=20mA	I _v (mcd) @ IF=20mA
Common Anode	Common Cathode				
OSL10561-IW	OSL10561-LW	White	10000K	3.1	65
OSL10561-IB	OSL10561-LB	Blue	465	3.1	50
OSL10561-IG	OSL10561-LG	Pure Green	525	3.1	200
OSL10561-IYG	OSL10561-LYG	Yellow Green	571	2.1	12
OSL10561-IY	OSL10561-LY	Yellow	590	2.1	60
OSL10561-IO	OSL10561-LO	Orange	605	2.1	70
OSL10561-IR	OSL10561-LR	Red	630	2.1	26
OSL10561-IRA	OSL10561-LRA	Super Bright Red	625	2.1	100

Package Dimension / Internal Circuit

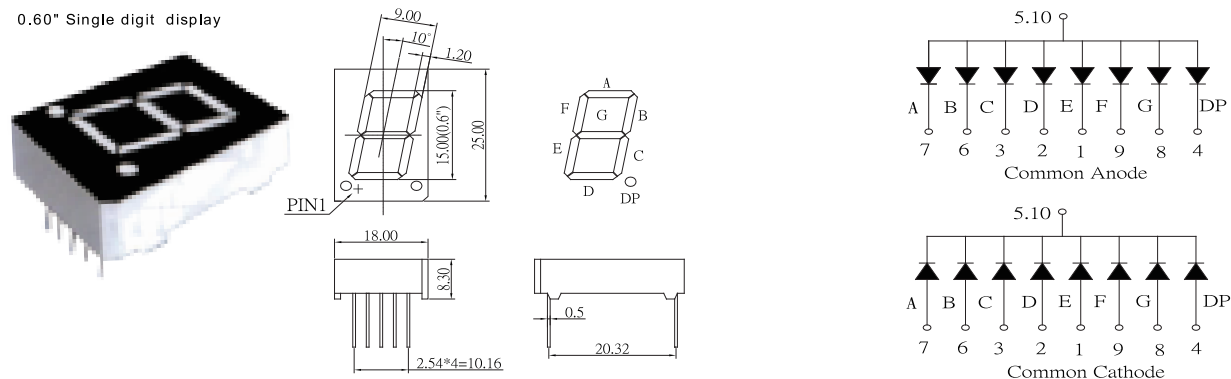
0.56" Single digit display



Part Number		Color	Wavelength(nm) λ D @ IF=20mA	V _f (V) @ IF=20mA	I _v (mcd) @ IF=20mA
Common Anode	Common Cathode				
OSL10564-IW	OSL10564-LW	White	10000K	3.1	65
OSL10564-IB	OSL10564-LB	Blue	465	3.1	50
OSL10564-IG	OSL10564-LG	Pure Green	525	3.1	200
OSL10564-IYG	OSL10564-LYG	Yellow Green	571	2.1	12
OSL10564-IY	OSL10564-LY	Yellow	590	2.1	60
OSL10564-IO	OSL10564-LO	Orange	605	2.1	70
OSL10564-IR	OSL10564-LR	Red	630	2.1	26
OSL10564-IRA	OSL10564-LRA	Super Bright Red	625	2.1	100

Package Dimension / Internal Circuit

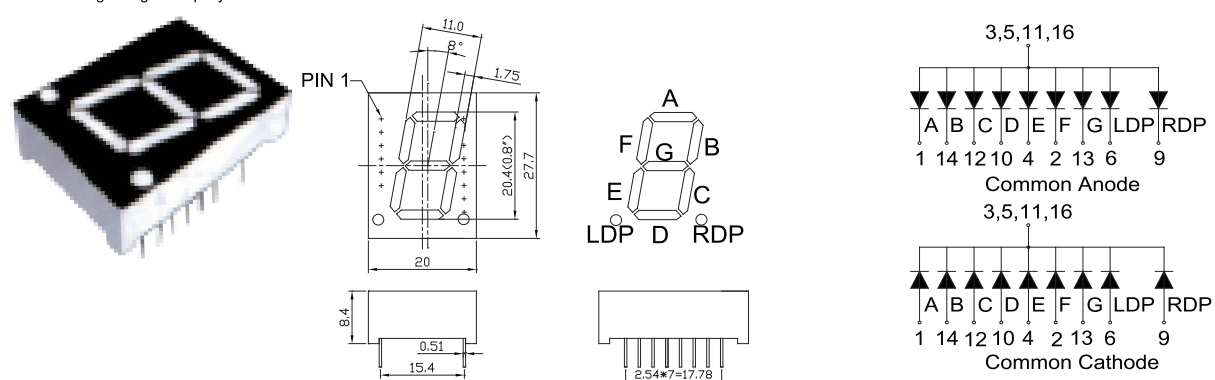
0.60" Single digit display



Part Number		Color	Wavelength(nm) λ D @ IF=20mA	V _f (V) @ IF=20mA	I _v (mcd) @ IF=20mA
Common Anode	Common Cathode				
OSL10601-IW	OSL10601-LW	White	10000K	3.1	65
OSL10601-IB	OSL10601-LB	Blue	465	3.1	50
OSL10601-IG	OSL10601-LG	Pure Green	525	3.1	200
OSL10601-IYG	OSL10601-LYG	Yellow Green	571	2.1	12
OSL10601-IY	OSL10601-LY	Yellow	590	2.1	60
OSL10601-IO	OSL10601-LO	Orange	605	2.1	70
OSL10601-IR	OSL10601-LR	Red	630	2.1	26
OSL10601-IRA	OSL10601-LRA	Super Bright Red	625	2.1	100

Package Dimension / Internal Circuit

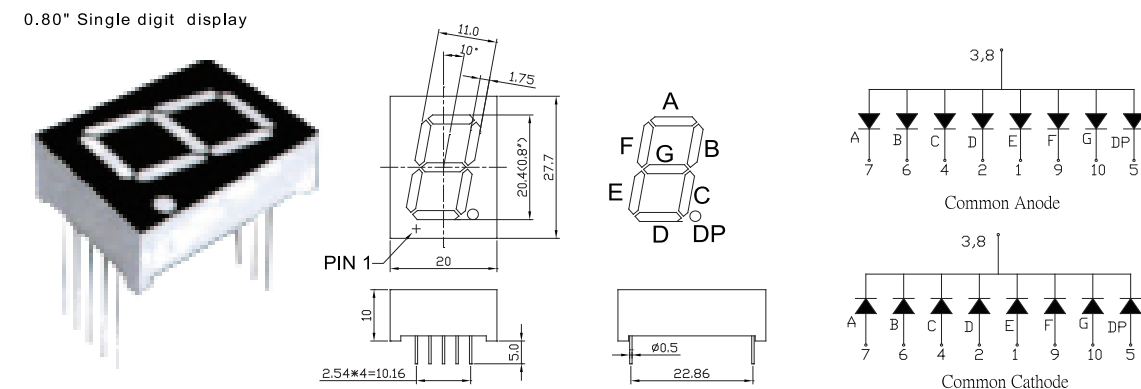
0.80" Single digit display



Part Number		Color	Wavelength(nm) λ D @ IF=20mA	V _f (V) @ IF=20mA	I _v (mcd) @ IF=20mA
Common Anode	Common Cathode				
OSL10801-IW	OSL10801-LW	White	10000K	3.1	65
OSL10801-IB	OSL10801-LB	Blue	465	3.1	50
OSL10801-IG	OSL10801-LG	Pure Green	525	3.1	200
OSL10801-IYG	OSL10801-LYG	Yellow Green	571	2.1	12
OSL10801-IY	OSL10801-LY	Yellow	590	2.1	60
OSL10801-IO	OSL10801-LO	Orange	605	2.1	70
OSL10801-IR	OSL10801-LR	Red	630	2.1	26
OSL10801-IRA	OSL10801-LRA	Super Bright Red	625	2.1	100

Package Dimension / Internal Circuit

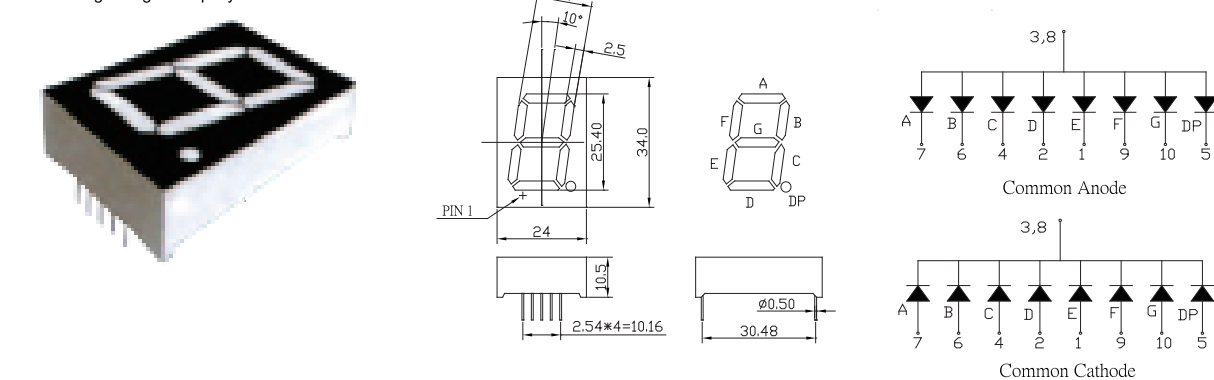
0.80" Single digit display



Part Number		Color	Wavelength(nm) λ D @ IF=20mA	V _f (V) @ IF=20mA	I _v (mcd) @ IF=20mA
Common Anode	Common Cathode				
OSL10802-IW	OSL10802-LW	White	10000K	3.1	65
OSL10802-IB	OSL10802-LB	Blue	465	3.1	50
OSL10802-IG	OSL10802-LG	Pure Green	525	3.1	200
OSL10802-IYG	OSL10802-LYG	Yellow Green	571	2.1	12
OSL10802-IY	OSL10802-LY	Yellow	590	2.1	60
OSL10802-IO	OSL10802-LO	Orange	605	2.1	70
OSL10802-IR	OSL10802-LR	Red	630	2.1	26
OSL10802-IRA	OSL10802-LRA	Super Bright Red	625	2.1	100

Package Dimension / Internal Circuit

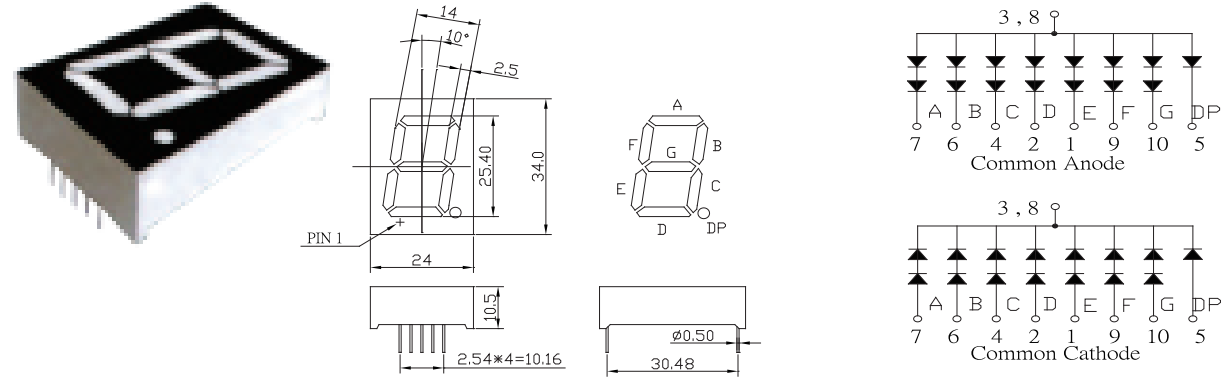
1.0" Single digit display



Part Number		Color	Wavelength(nm) λ D @ IF=20mA	V _f (V) @ IF=20mA	I _v (mcd) @ IF=20mA
Common Anode	Common Cathode				
OSL11007-IW	OSL11007-LW	White	10000K	3.1	65
OSL11007-IB	OSL11007-LB	Blue	465	3.1	50
OSL11007-IG	OSL11007-LG	Pure Green	525	3.1	200
OSL11007-IYG	OSL11007-LYG	Yellow Green	571	2.1	12
OSL11007-IY	OSL11007-LY	Yellow	590	2.1	60
OSL11007-IO	OSL11007-LO	Orange	605	2.1	70
OSL11007-IR	OSL11007-LR	Red	630	2.1	26
OSL11007-IRA	OSL11007-LRA	Super Bright Red	625	2.1	100

Package Dimension / Internal Circuit

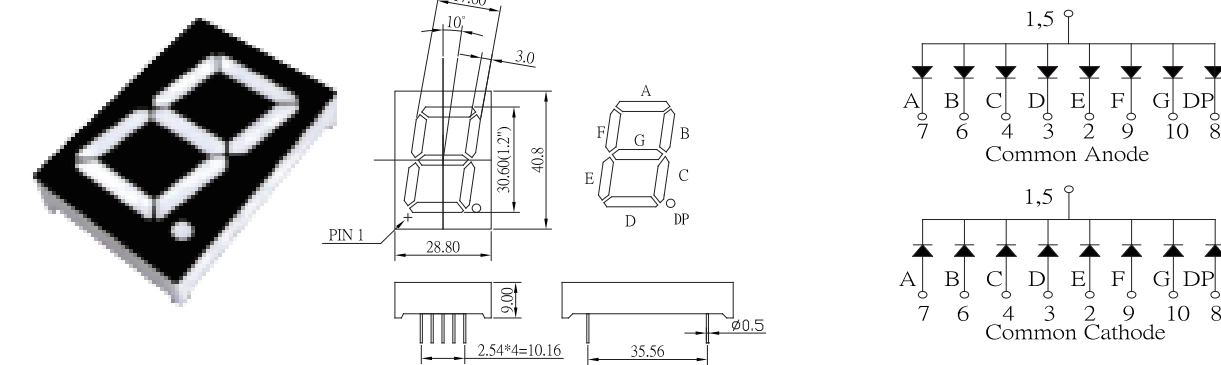
1.0" Single digit display



Part Number		Color	Wavelength(nm) λ D @ IF=20mA	V _f (V) @ IF=20mA	I _v (mcd) @ IF=20mA
Common Anode	Common Cathode				
OSL11004-IW	OSL11004-LW	White	10000K	6.2(3.1)	65
OSL11004-IB	OSL11004-LB	Blue	465	6.2(3.1)	50
OSL11004-IG	OSL11004-LG	Pure Green	525	6.2(3.1)	200
OSL11004-IYG	OSL11004-LYG	Yellow Green	571	4.2(2.1)	12
OSL11004-IY	OSL11004-LY	Yellow	590	4.2(2.1)	60
OSL11004-IO	OSL11004-LO	Orange	605	4.2(2.1)	70
OSL11004-IR	OSL11004-LR	Red	630	4.2(2.1)	26
OSL11004-IRA	OSL11004-LRA	Super Bright Red	625	4.2(2.1)	100

Package Dimension / Internal Circuit

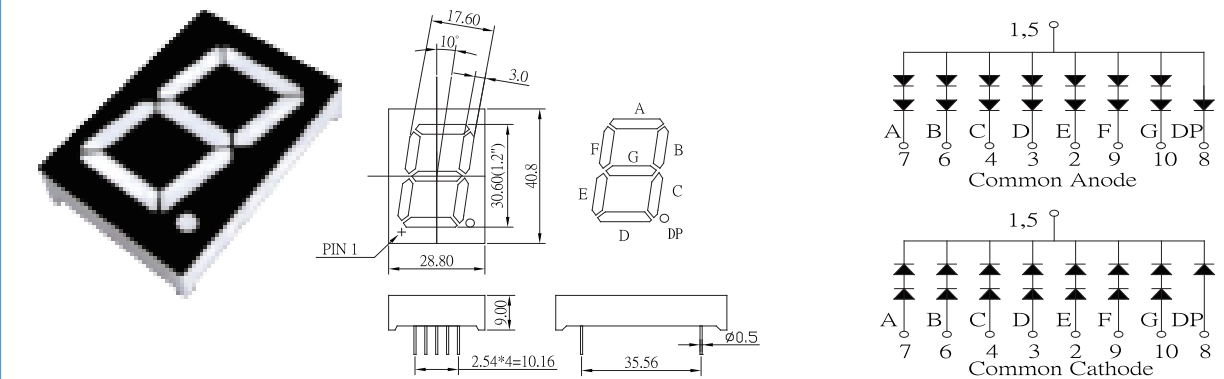
1.2" Single digit display



Part Number		Color	Wavelength(nm) λ D @ IF=20mA	V _f (V) @ IF=20mA	I _v (mcd) @ IF=20mA
Common Anode	Common Cathode				
OSL11202-IW	OSL11202-LW	White	10000K	3.1	65
OSL11202-IB	OSL11202-LB	Blue	465	3.1	50
OSL11202-IG	OSL11202-LG	Pure Green	525	3.1	200
OSL11202-IYG	OSL11202-LYG	Yellow Green	571	2.1	12
OSL11202-IY	OSL11202-LY	Yellow	590	2.1	60
OSL11202-IO	OSL11202-LO	Orange	605	2.1	70
OSL11202-IR	OSL11202-LR	Red	630	2.1	26
OSL11202-IRA	OSL11202-LRA	Super Bright Red	625	2.1	100

Package Dimension / Internal Circuit

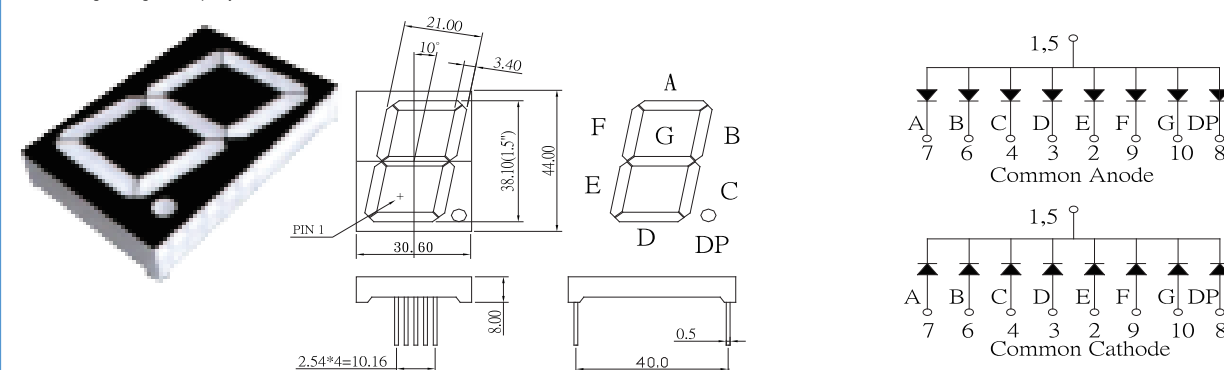
1.2" Single digit display



Part Number		Color	Wavelength(nm) λ D @ IF=20mA	V _f (V) @ IF=20mA	I _v (mcd) @ IF=20mA
Common Anode	Common Cathode				
OSL11201-IW	OSL11201-LW	White	10000K	6.2(3.1)	65
OSL11201-IB	OSL11201-LB	Blue	465	6.2(3.1)	50
OSL11201-IG	OSL11201-LG	Pure Green	525	6.2(3.1)	200
OSL11201-IYG	OSL11201-LYG	Yellow Green	571	4.2(2.1)	12
OSL11201-IY	OSL11201-LY	Yellow	590	4.2(2.1)	60
OSL11201-IO	OSL11201-LO	Orange	605	4.2(2.1)	70
OSL11201-IR	OSL11201-LR	Red	630	4.2(2.1)	26
OSL11201-IRA	OSL11201-LRA	Super Bright Red	625	4.2(2.1)	100

Package Dimension / Internal Circuit

1.5" Single digit display

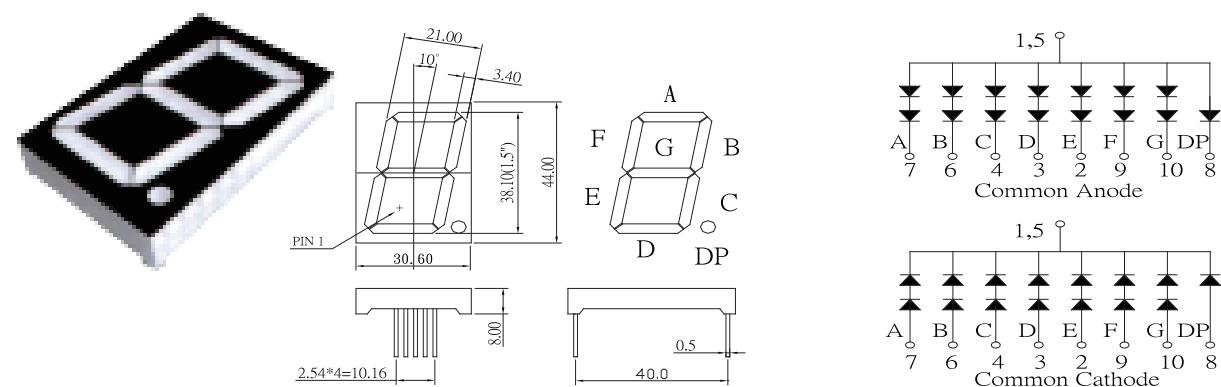


Part Number		Color	Wavelength(nm) λ D @ IF=20mA	V _f (V) @ IF=20mA	I _v (mcd) @ IF=20mA
Common Anode	Common Cathode				
OSL11504-IW	OSL11504-LW	White	10000K	3.1	65
OSL11504-IB	OSL11504-LB	Blue	465	3.1	50
OSL11504-IG	OSL11504-LG	Pure Green	525	3.1	200
OSL11504-IYG	OSL11504-LYG	Yellow Green	571	2.1	12
OSL11504-IY	OSL11504-LY	Yellow	590	2.1	60
OSL11504-IO	OSL11504-LO	Orange	605	2.1	70
OSL11504-IR	OSL11504-LR	Red	630	2.1	26
OSL11504-IRA	OSL11504-LRA	Super Bright Red	625	2.1	100

Through-hole Display

Package Dimension / Internal Circuit

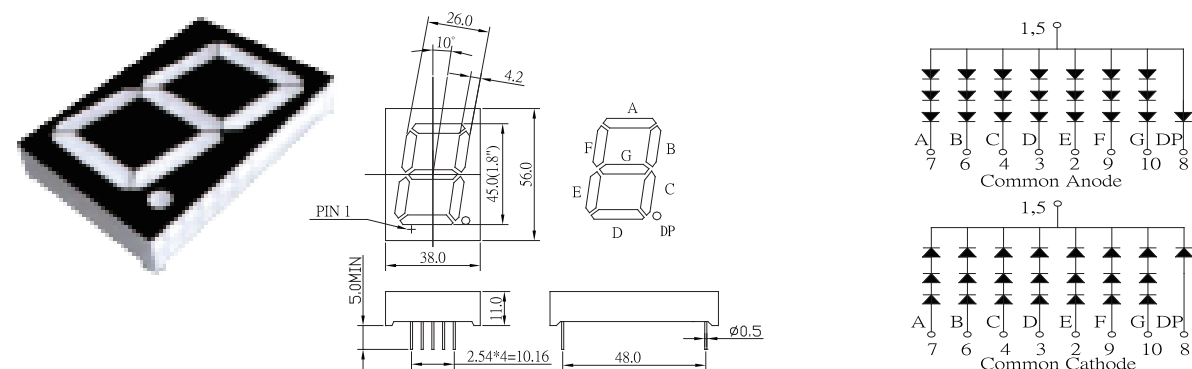
1.5" Single digit display



Part Number		Color	Wavelength(nm) λ D @ IF=20mA	V _F (V) @ IF=20mA	I _v (mcd) @ IF=20mA
Common Anode	Common Cathode				
OSL11501-IW	OSL11501-LW	White	10000K	6.2(3.1)	65
OSL11501-IB	OSL11501-LB	Blue	465	6.2(3.1)	50
OSL11501-IG	OSL11501-LG	Pure Green	525	6.2(3.1)	200
OSL11501-IYG	OSL11501-LYG	Yellow Green	571	4.2(2.1)	12
OSL11501-IY	OSL11501-LY	Yellow	590	4.2(2.1)	60
OSL11501-IO	OSL11501-LO	Orange	605	4.2(2.1)	70
OSL11501-IR	OSL11501-LR	Red	630	4.2(2.1)	26
OSL11501-IRA	OSL11501-LRA	Super Bright Red	625	4.2(2.1)	100

Package Dimension / Internal Circuit

1.8" Single digit display

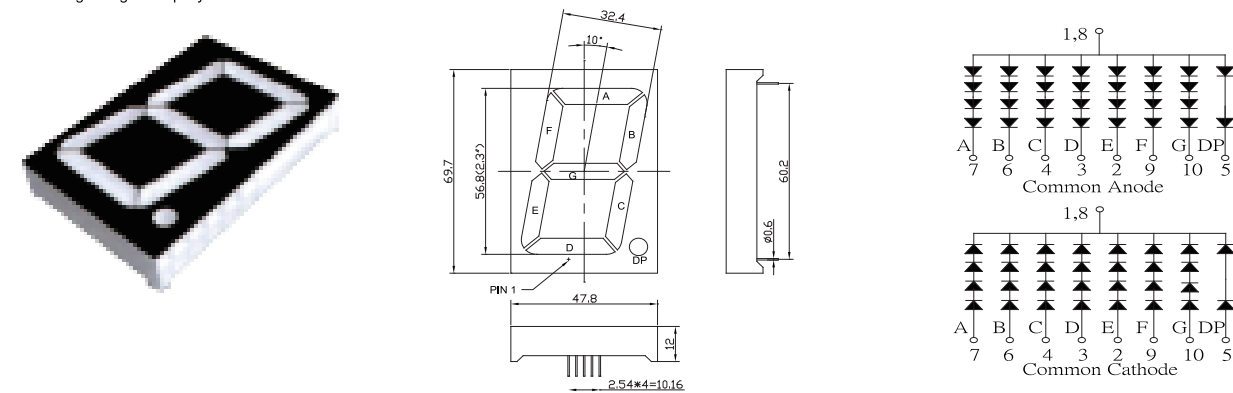


Part Number		Color	Wavelength(nm) λ D @ IF=20mA	V _F (V) @ IF=20mA	I _v (mcd) @ IF=20mA
Common Anode	Common Cathode				
OSL11801-IW	OSL11801-LW	White	10000K	9.2(3.1)	65
OSL11801-IB	OSL11801-LB	Blue	465	9.2(3.1)	50
OSL11801-IG	OSL11801-LG	Pure Green	525	9.2(3.1)	200
OSL11801-IYG	OSL11801-LYG	Yellow Green	571	9.2(2.1)	12
OSL11801-IY	OSL11801-LY	Yellow	590	6.2(2.1)	60
OSL11801-IO	OSL11801-LO	Orange	605	6.2(2.1)	70
OSL11801-IR	OSL11801-LR	Red	630	6.2(2.1)	26
OSL11801-IRA	OSL11801-LRA	Super Bright Red	625	6.2(2.1)	100

Through-hole Display

Package Dimension / Internal Circuit

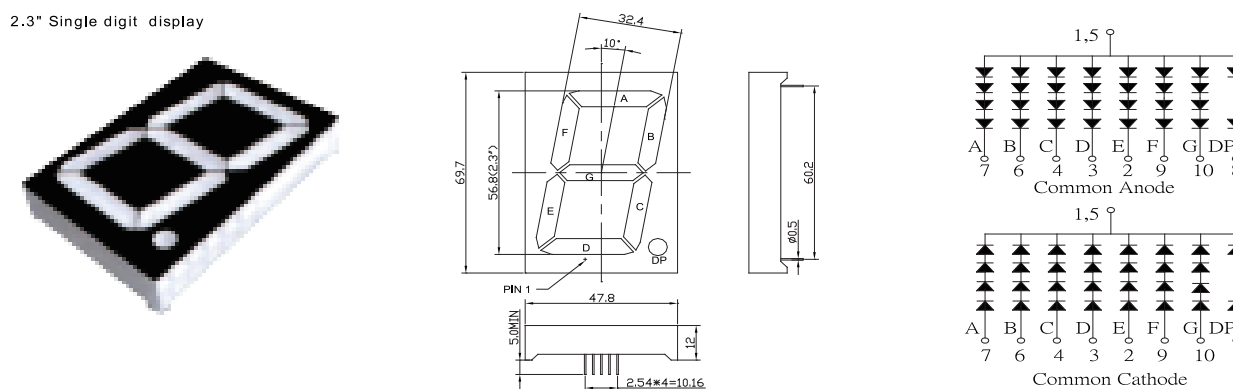
2.3" Single digit display



Part Number		Color	Wavelength(nm) λ D @ IF=20mA	V _F (V) @ IF=20mA	I _v (mcd) @ IF=20mA
Common Anode	Common Cathode				
OSL12304-IW	OSL12304-LW	White	10000K	12.2(6.2)	65
OSL12304-IB	OSL12304-LB	Blue	465	12.2(6.2)	50
OSL12304-IG	OSL12304-LG	Pure Green	525	12.2(6.2)	200
OSL12304-IYG	OSL12304-LYG	Yellow Green	571	8.2(4.2)	12
OSL12304-IY	OSL12304-LY	Yellow	590	8.2(4.2)	60
OSL12304-IO	OSL12304-LO	Orange	605	8.2(4.2)	70
OSL12304-IR	OSL12304-LR	Red	630	8.2(4.2)	26
OSL12304-IRA	OSL12304-LRA	Super Bright Red	625	8.2(4.2)	100

Package Dimension / Internal Circuit

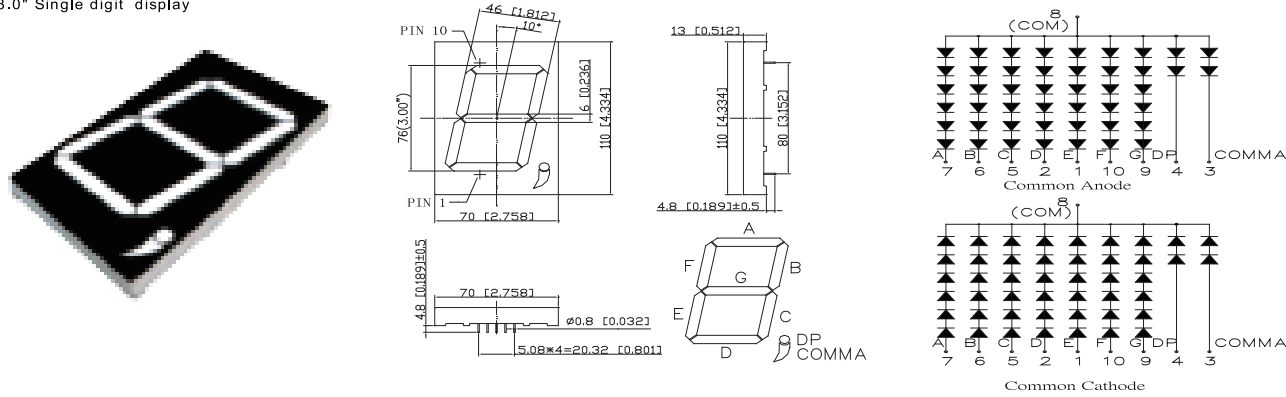
2.3" Single digit display



Part Number		Color	Wavelength(nm) λ D @ IF=20mA	V _F (V) @ IF=20mA	I _v (mcd) @ IF=20mA
Common Anode	Common Cathode				
OSL12302-IW	OSL12302-LW	White	10000K	12.2(6.2)	65
OSL12302-IB	OSL12302-LB	Blue	465	12.2(6.2)	50
OSL12302-IG	OSL12302-LG	Pure Green	525	12.2(6.2)	200
OSL12302-IYG	OSL12302-LYG	Yellow Green	571	8.2(4.2)	12
OSL12302-IY	OSL12302-LY	Yellow	590	8.2(4.2)	60
OSL12302-IO	OSL12302-LO	Orange	605	8.2(4.2)	70
OSL12302-IR	OSL12302-LR	Red	630	8.2(4.2)	26
OSL12302-IRA	OSL12302-LRA	Super Bright Red	625	8.2(4.2)	100

Through-hole Display
Package Dimension / Internal Circuit

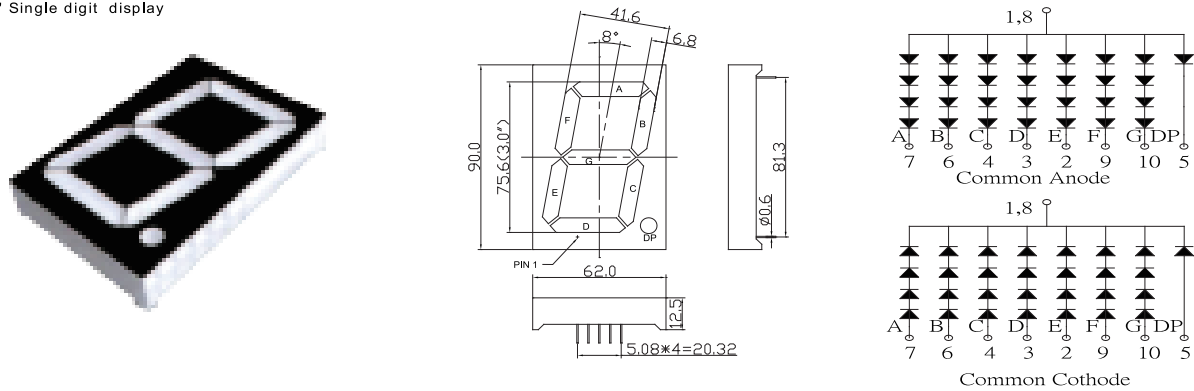
3.0" Single digit display



Part Number		Color	Wavelength(nm) λ D @ IF=20mA	V _F (V) @ IF=20mA	I _v (mcd) @ IF=20mA
Common Anode	Common Cathode				
OSL13001-IW	OSL13001-LW	White	10000K	18.6(6.2)	65
OSL13001-IB	OSL13001-LB	Blue	465	18.6(6.2)	50
OSL13001-IG	OSL13001-LG	Pure Green	525	18.6(6.2)	200
OSL13001-IYG	OSL13001-LYG	Yellow Green	571	12(4)	12
OSL13001-IY	OSL13001-LY	Yellow	590	12(4)	60
OSL13001-IO	OSL13001-LO	Orange	605	12(4)	70
OSL13001-IR	OSL13001-LR	Red	630	12(4)	26
OSL13001-IRA	OSL13001-LRA	Super Bright Red	625	12(4)	100

Package Dimension / Internal Circuit

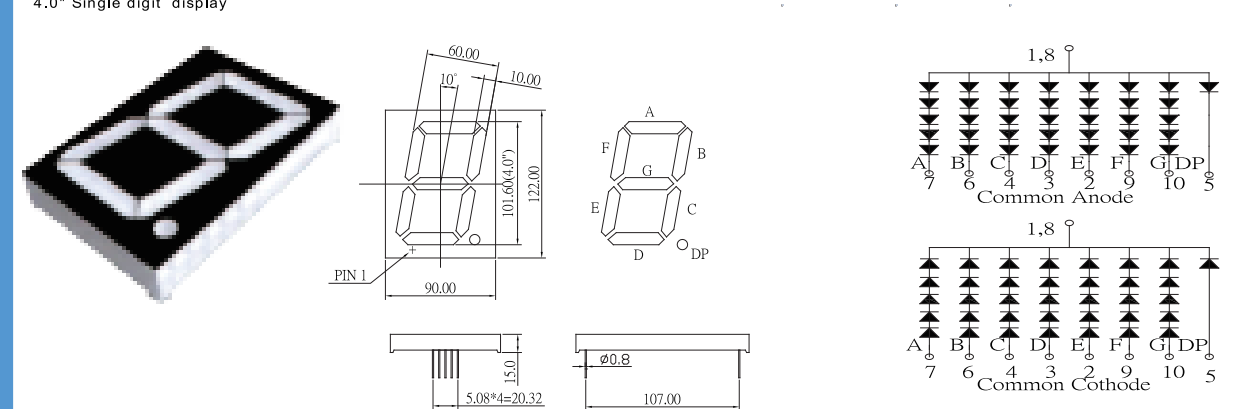
3.0" Single digit display



Part Number		Color	Wavelength(nm) λ D @ IF=20mA	V _F (V) @ IF=20mA	I _v (mcd) @ IF=20mA
Common Anode	Common Cathode				
OSL13006-IW	OSL13006-LW	White	10000K	12.2(3.1)	65
OSL13006-IB	OSL13006-LB	Blue	465	12.2(3.1)	50
OSL13006-IG	OSL13006-LG	Pure Green	525	12.2(3.1)	200
OSL13006-IYG	OSL13006-LYG	Yellow Green	571	8.2(2.1)	12
OSL13006-IY	OSL13006-LY	Yellow	590	8.2(2.1)	60
OSL13006-IO	OSL13006-LO	Orange	605	8.2(2.1)	70
OSL13006-IR	OSL13006-LR	Red	630	8.2(2.1)	26
OSL13006-IRA	OSL13006-LRA	Super Bright Red	625	8.2(2.1)	100

Through-hole Display
Package Dimension / Internal Circuit

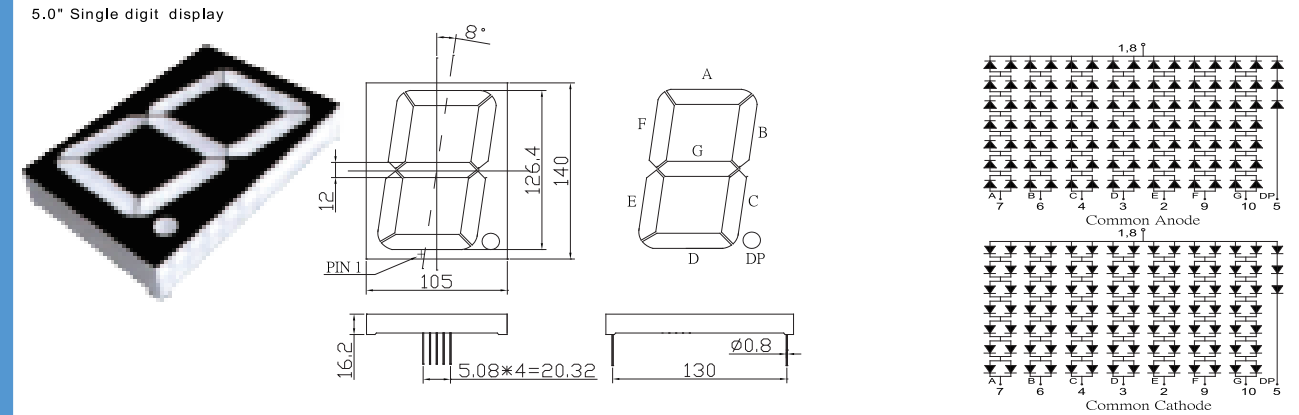
4.0" Single digit display



Part Number		Color	Wavelength(nm) λ D @ IF=20mA	V _F (V) @ IF=20mA	I _v (mcd) @ IF=20mA
Common Anode	Common Cathode				
OSL14003-IW	OSL14003-LW	White	10000K	15.5(3.1)	65
OSL14003-IB	OSL14003-LB	Blue	465	15.5(3.1)	50
OSL14003-IG	OSL14003-LG	Pure Green	525	15.5(3.1)	200
OSL14003-IYG	OSL14003-LYG	Yellow Green	571	10.5(2.1)	12
OSL14003-IY	OSL14003-LY	Yellow	590	10.5(2.1)	60
OSL14003-IO	OSL14003-LO	Orange	605	10.5(2.1)	70
OSL14003-IR	OSL14003-LR	Red	630	10.5(2.1)	26
OSL14003-IRA	OSL14003-LRA	Super Bright Red	625	10.5(2.1)	100

Package Dimension / Internal Circuit

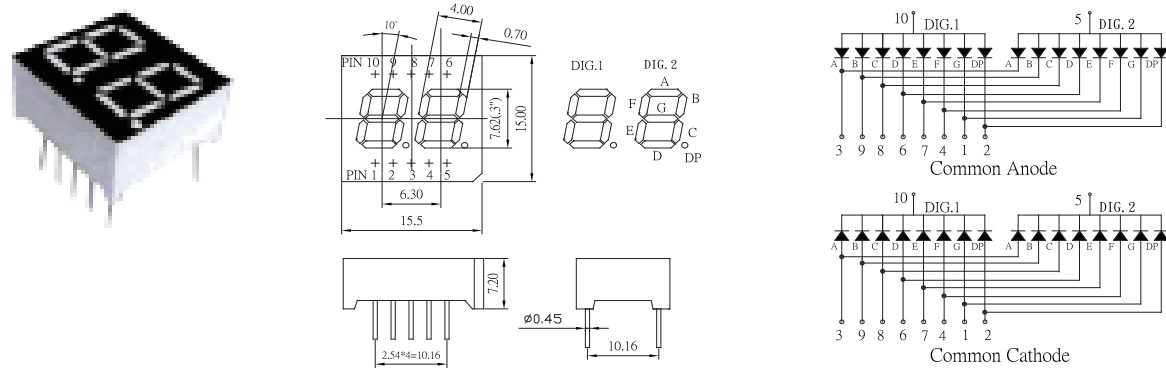
5.0" Single digit display



Part Number		Color	Wavelength(nm) λ D @ IF=20mA	V _F (V) @ IF=20mA	I _v (mcd) @ IF=40mA (DP:IF=20mA)
Common Anode	Common Cathode				
OSL15001-IW	OSL15001-LW	White	10000K	12.2(3.1)	65
OSL15001-IB	OSL15001-LB	Blue	465	12.2(3.1)	50
OSL15001-IG	OSL15001-LG	Pure Green	525	12.2(3.1)	200
OSL15001-IYG	OSL15001-LYG	Yellow Green	571	8.2(2.1)	12
OSL15001-IY	OSL15001-LY	Yellow	590	8.2(2.1)	60
OSL15001-IO	OSL15001-LO	Orange	605	8.2(2.1)	70
OSL15001-IR	OSL15001-LR	Red	630	8.2(2.1)	26
OSL15001-IRA	OSL15001-LRA	Super Bright Red	625	8.2(2.1)	100

Package Dimension / Internal Circuit

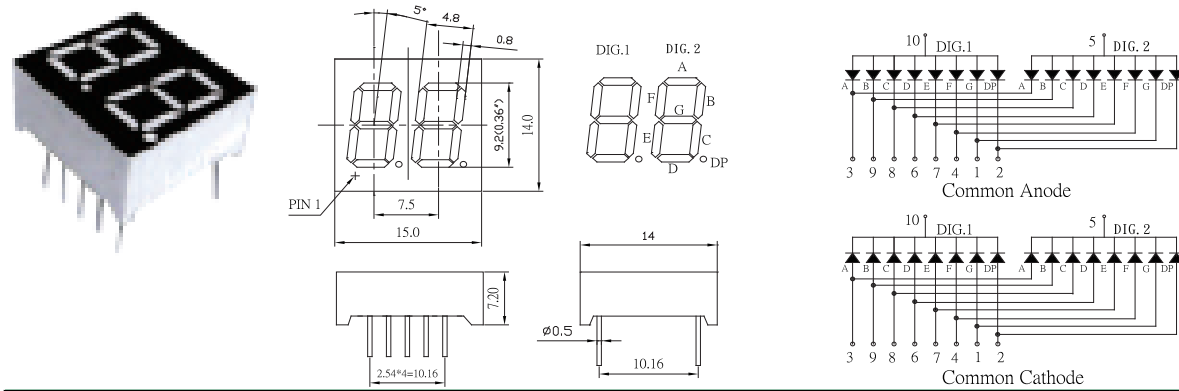
0.30" Dual digits display



Part Number		Color	Wavelength(nm) λ D @ IF=20mA	V _F (V) @ IF=20mA	I _v (mcd) @ IF=20mA
Common Anode	Common Cathode				
OSL20301-IW	OSL20301-LW	White	10000K	3.1	65
OSL20301-IB	OSL20301-LB	Blue	465	3.1	50
OSL20301-IG	OSL20301-LG	Pure Green	525	3.1	200
OSL20301-IYG	OSL20301-LYG	Yellow Green	571	2.1	12
OSL20301-IY	OSL20301-LY	Yellow	590	2.1	60
OSL20301-IO	OSL20301-LO	Orange	605	2.1	70
OSL20301-IR	OSL20301-LR	Red	630	2.1	26
OSL20301-IRA	OSL20301-LRA	Super Bright Red	625	2.1	100

Package Dimension / Internal Circuit

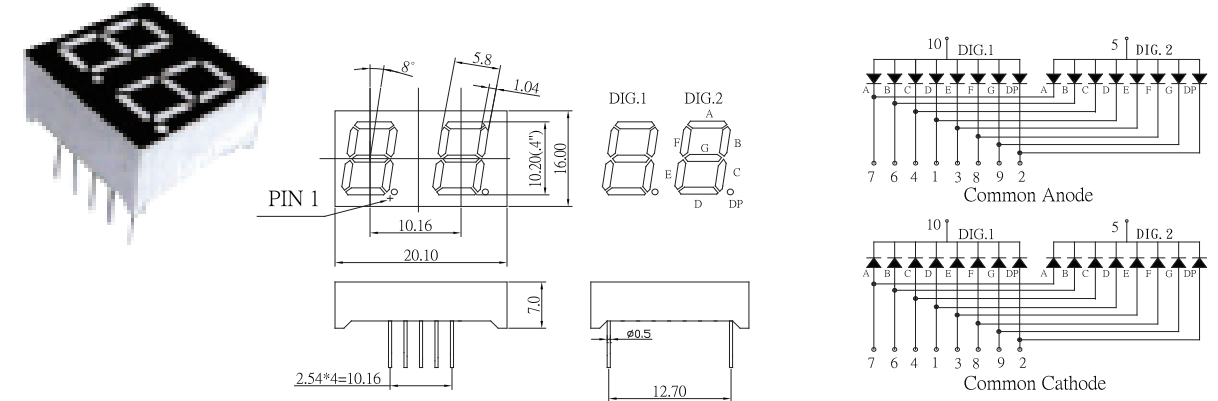
0.36" Dual digits display



Part Number		Color	Wavelength(nm) λ D @ IF=20mA	V _F (V) @ IF=20mA	I _v (mcd) @ IF=20mA
Common Anode	Common Cathode				
OSL20361-IW	OSL20361-LW	White	10000K	3.1	65
OSL20361-IB	OSL20361-LB	Blue	465	3.1	50
OSL20361-IG	OSL20361-LG	Pure Green	525	3.1	200
OSL20361-IYG	OSL20361-LYG	Yellow Green	571	2.1	12
OSL20361-IY	OSL20361-LY	Yellow	590	2.1	60
OSL20361-IO	OSL20361-LO	Orange	605	2.1	70
OSL20361-IR	OSL20361-LR	Red	630	2.1	26
OSL20361-IRA	OSL20361-LRA	Super Bright Red	625	2.1	100

Package Dimension / Internal Circuit

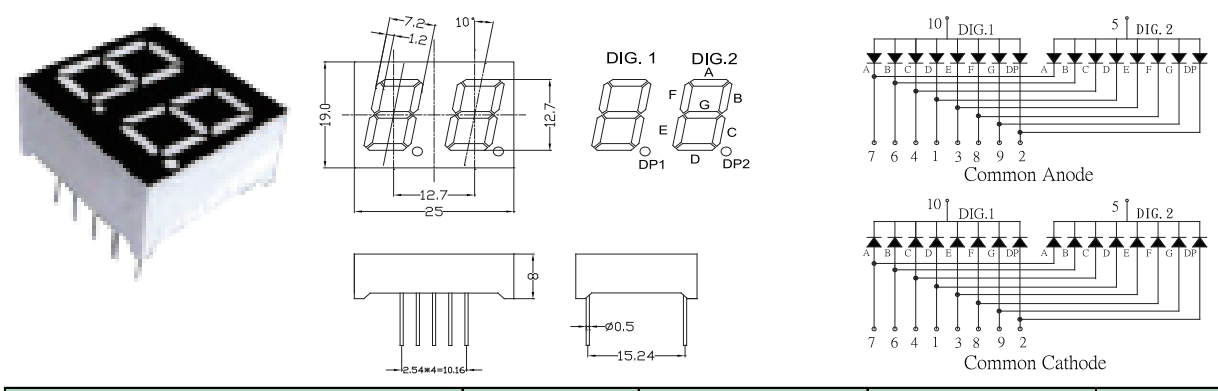
0.40" Dual digits display



Part Number		Color	Wavelength(nm) λ D @ IF=20mA	V _F (V) @ IF=20mA	I _v (mcd) @ IF=20mA
Common Anode	Common Cathode				
OSL20402-IW	OSL20402-LW	White	10000K	3.1	65
OSL20402-IB	OSL20402-LB	Blue	465	3.1	50
OSL20402-IG	OSL20402-LG	Pure Green	525	3.1	200
OSL20402-IYG	OSL20402-LYG	Yellow Green	571	2.1	12
OSL20402-IY	OSL20402-LY	Yellow	590	2.1	60
OSL20402-IO	OSL20402-LO	Orange	605	2.1	70
OSL20402-IR	OSL20402-LR	Red	630	2.1	26
OSL20402-IRA	OSL20402-LRA	Super Bright Red	625	2.1	100

Package Dimension / Internal Circuit

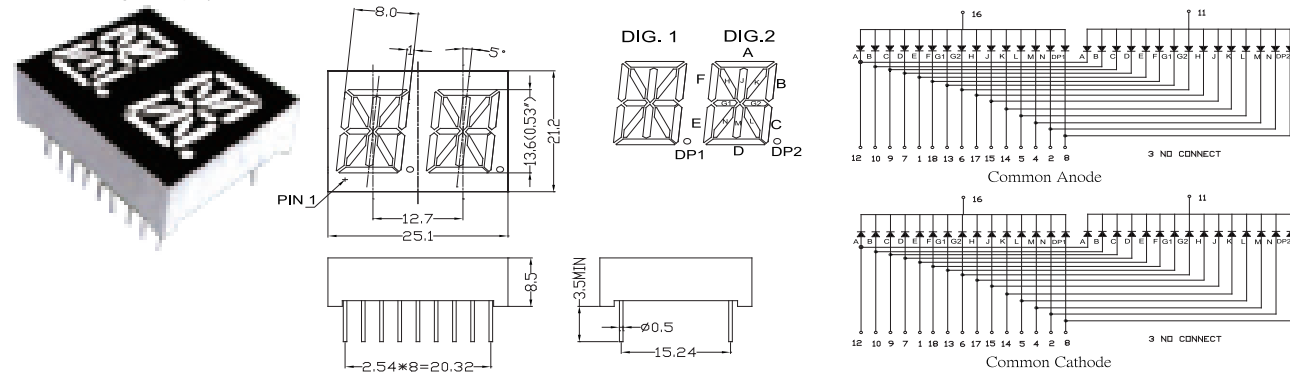
0.50" Dual digits display



Part Number		Color	Wavelength(nm) λ D @ IF=20mA	V _F (V) @ IF=20mA	I _v (mcd) @ IF=20mA
Common Anode	Common Cathode				
OSL20503-IW	OSL20503-LW	White	10000K	3.1	65
OSL20503-IB	OSL20503-LB	Blue	465	3.1	50
OSL20503-IG	OSL20503-LG	Pure Green	525	3.1	200
OSL20503-IYG	OSL20503-LYG	Yellow Green	571	2.1	12
OSL20503-IY	OSL20503-LY	Yellow	590	2.1	60
OSL20503-IO	OSL20503-LO	Orange	605	2.1	70
OSL20503-IR	OSL20503-LR	Red	630	2.1	26
OSL20503-IRA	OSL20503-LRA	Super Bright Red	625	2.1	100

Through-hole Display
Package Dimension / Internal Circuit

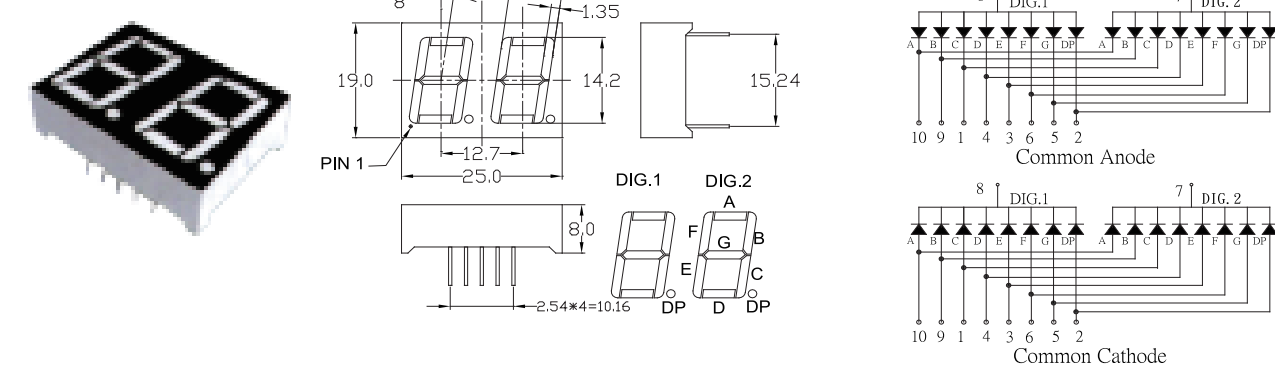
0.53" Dual digits display



Part Number		Color	Wavelength(nm) λ D @ IF=20mA	V _F (V) @ IF=20mA	I _v (mcd) @ IF=20mA
Common Anode	Common Cathode				
OSL20531-IW	OSL20531-LW	White	10000K	3.1	65
OSL20531-IB	OSL20531-LB	Blue	465	3.1	50
OSL20531-IG	OSL20531-LG	Pure Green	525	3.1	200
OSL20531-IYG	OSL20531-LYG	Yellow Green	571	2.1	12
OSL20531-IY	OSL20531-LY	Yellow	590	2.1	60
OSL20531-IO	OSL20531-LO	Orange	605	2.1	70
OSL20531-IR	OSL20531-LR	Red	630	2.1	26
OSL20531-IRA	OSL20531-LRA	Super Bright Red	625	2.1	100

Package Dimension / Internal Circuit

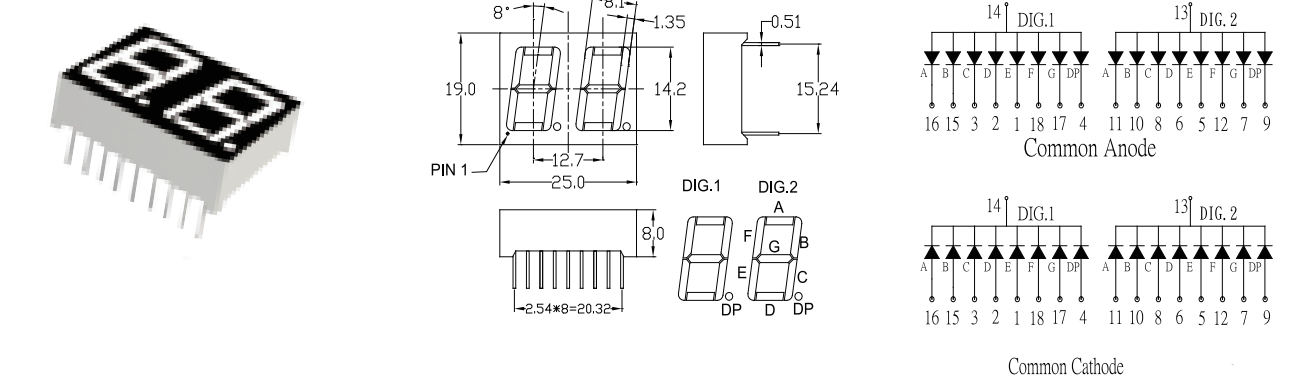
0.56" Dual digits display



Part Number		Color	Wavelength(nm) λ D @ IF=20mA	V _F (V) @ IF=20mA	I _v (mcd) @ IF=20mA
Common Anode	Common Cathode				
OSL20563-IW	OSL20563-LW	White	10000K	3.1	65
OSL20563-IB	OSL20563-LB	Blue	465	3.1	50
OSL20563-IG	OSL20563-LG	Pure Green	525	3.1	200
OSL20563-IYG	OSL20563-LYG	Yellow Green	571	2.1	12
OSL20563-IY	OSL20563-LY	Yellow	590	2.1	60
OSL20563-IO	OSL20563-LO	Orange	605	2.1	70
OSL20563-IR	OSL20563-LR	Red	630	2.1	26
OSL20563-IRA	OSL20563-LRA	Super Bright Red	625	2.1	100

Through-hole Display
Package Dimension / Internal Circuit

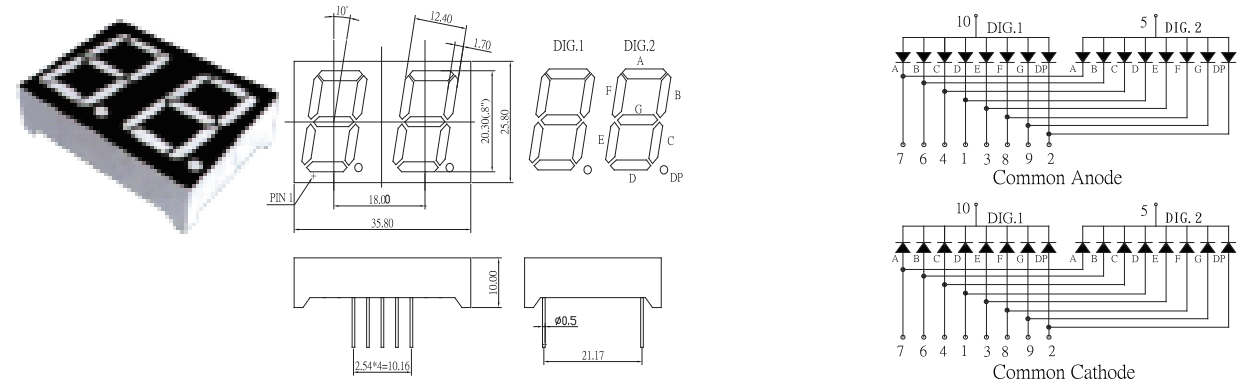
0.56" Dual digits display



Part Number		Color	Wavelength(nm) λ D @ IF=20mA	V _F (V) @ IF=20mA	I _v (mcd) @ IF=20mA
Common Anode	Common Cathode				
OSL20561-IW	OSL20561-LW	White	10000K	3.1	65
OSL20561-IB	OSL20561-LB	Blue	465	3.1	50
OSL20561-IG	OSL20561-LG	Pure Green	525	3.1	200
OSL20561-IYG	OSL20561-LYG	Yellow Green	571	2.1	12
OSL20561-IY	OSL20561-LY	Yellow	590	2.1	60
OSL20561-IO	OSL20561-LO	Orange	605	2.1	70
OSL20561-IR	OSL20561-LR	Red	630	2.1	26
OSL20561-IRA	OSL20561-LRA	Super Bright Red	625	2.1	100

Package Dimension / Internal Circuit

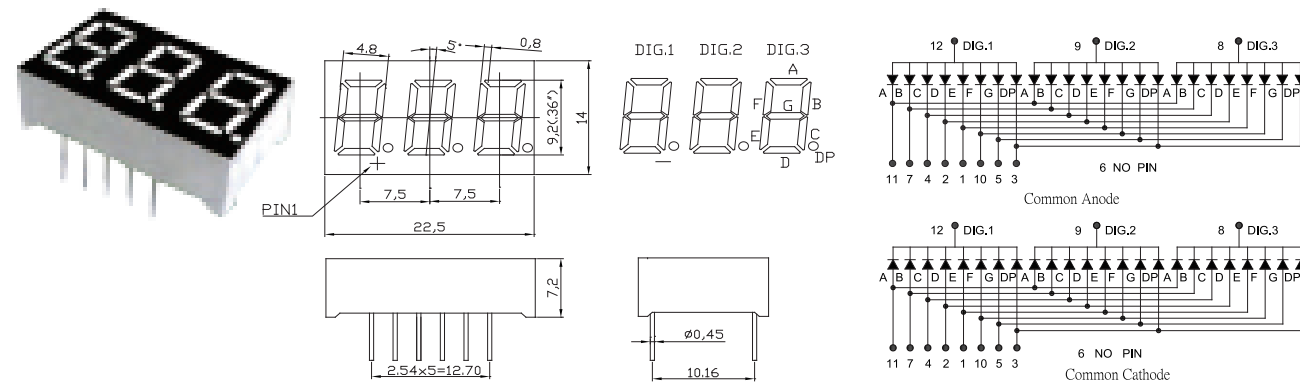
0.80" Dual digits display



Part Number		Color	Wavelength(nm) λ D @ IF=20mA	V _F (V) @ IF=20mA	I _v (mcd) @ IF=20mA
Common Anode	Common Cathode				
OSL20802-IW	OSL20802-LW	White	10000K	3.1	65
OSL20802-IB	OSL20802-LB	Blue	465	3.1	50
OSL20802-IG	OSL20802-LG	Pure Green	525	3.1	200
OSL20802-IYG	OSL20802-LYG	Yellow Green	571	2.1	12
OSL20802-IY	OSL20802-LY	Yellow	590	2.1	60
OSL20802-IO	OSL20802-LO	Orange	605	2.1	70
OSL20802-IR	OSL20802-LR	Red	630	2.1	26
OSL20802-IRA	OSL20802-LRA	Super Bright Red	625	2.1	100

Through-hole Display
Package Dimension / Internal Circuit

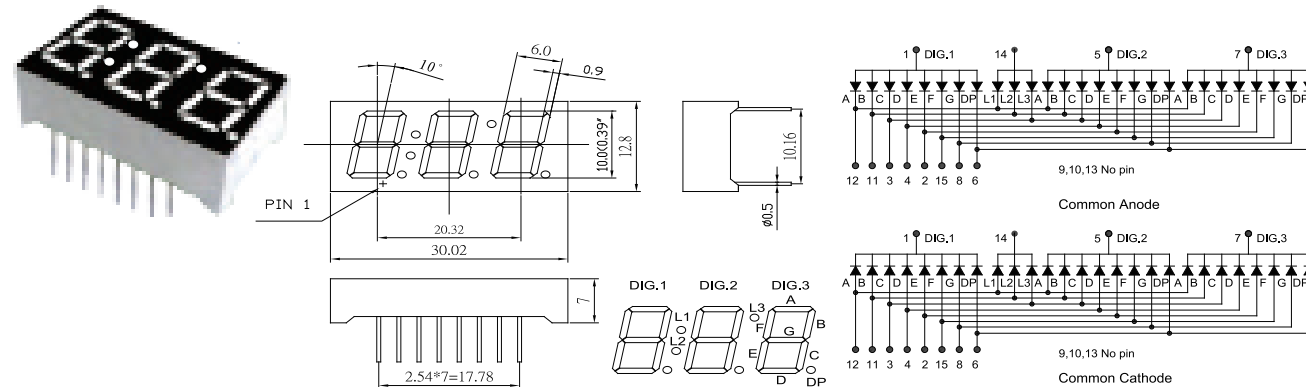
0.36" Three digits display



Part Number		Color	Wavelength(nm) λ D @ IF=20mA	V _F (V) @ IF=20mA	I _v (mcd) @ IF=20mA
Common Anode	Common Cathode				
OSL30361-IW	OSL30361-LW	White	10000K	3.1	65
OSL30361-IB	OSL30361-LB	Blue	465	3.1	50
OSL30361-IG	OSL30361-LG	Pure Green	525	3.1	200
OSL30361-IYG	OSL30361-LYG	Yellow Green	571	2.1	12
OSL30361-IY	OSL30361-LY	Yellow	590	2.1	60
OSL30361-IO	OSL30361-LO	Orange	605	2.1	70
OSL30361-IR	OSL30361-LR	Red	630	2.1	26
OSL30361-IRA	OSL30361-LRA	Super Bright Red	625	2.1	100

Package Dimension / Internal Circuit

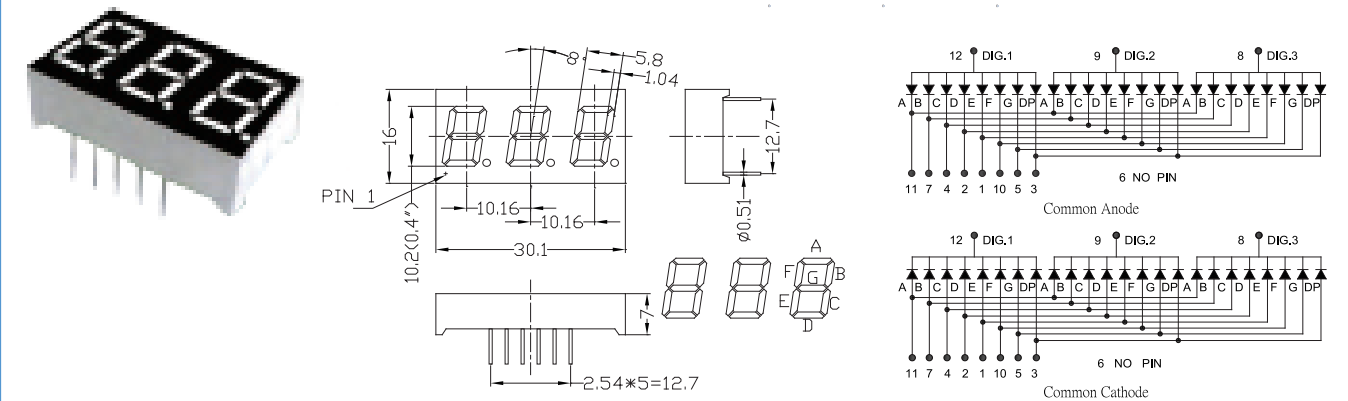
0.39" Three digits display



Part Number		Color	Wavelength(nm) λ D @ IF=20mA	V _F (V) @ IF=20mA	I _v (mcd) @ IF=20mA
Common Anode	Common Cathode				
OSL30391-IW	OSL30391-LW	White	10000K	3.1	65
OSL30391-IB	OSL30391-LB	Blue	465	3.1	50
OSL30391-IG	OSL30391-LG	Pure Green	525	3.1	200
OSL30391-IYG	OSL30391-LYG	Yellow Green	571	2.1	12
OSL30391-IY	OSL30391-LY	Yellow	590	2.1	60
OSL30391-IO	OSL30391-LO	Orange	605	2.1	70
OSL30391-IR	OSL30391-LR	Red	630	2.1	26
OSL30391-IRA	OSL30391-LRA	Super Bright Red	625	2.1	100

Through-hole Display
Package Dimension / Internal Circuit

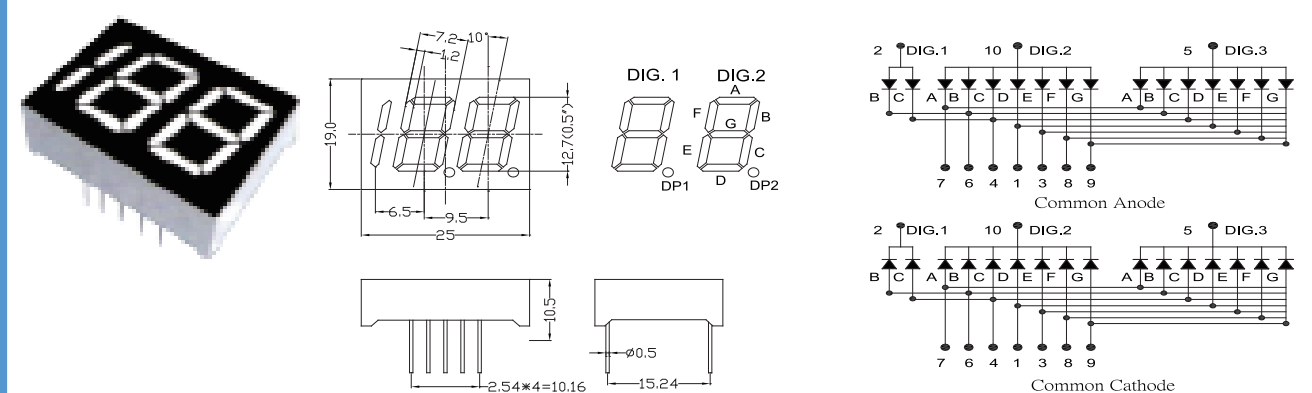
0.40" Three digits display



Part Number		Color	Wavelength(nm) λ D @ IF=20mA	V _F (V) @ IF=20mA	I _v (mcd) @ IF=20mA
Common Anode	Common Cathode				
OSL30402-IW	OSL30402-LW	White	10000K	3.1	65
OSL30402-IB	OSL30402-LB	Blue	465	3.1	50
OSL30402-IG	OSL30402-LG	Pure Green	525	3.1	200
OSL30402-IYG	OSL30402-LYG	Yellow Green	571	2.1	12
OSL30402-IY	OSL30402-LY	Yellow	590	2.1	60
OSL30402-IO	OSL30402-LO	Orange	605	2.1	70
OSL30402-IR	OSL30402-LR	Red	630	2.1	26
OSL30402-IRA	OSL30402-LRA	Super Bright Red	625	2.1	100

Package Dimension / Internal Circuit

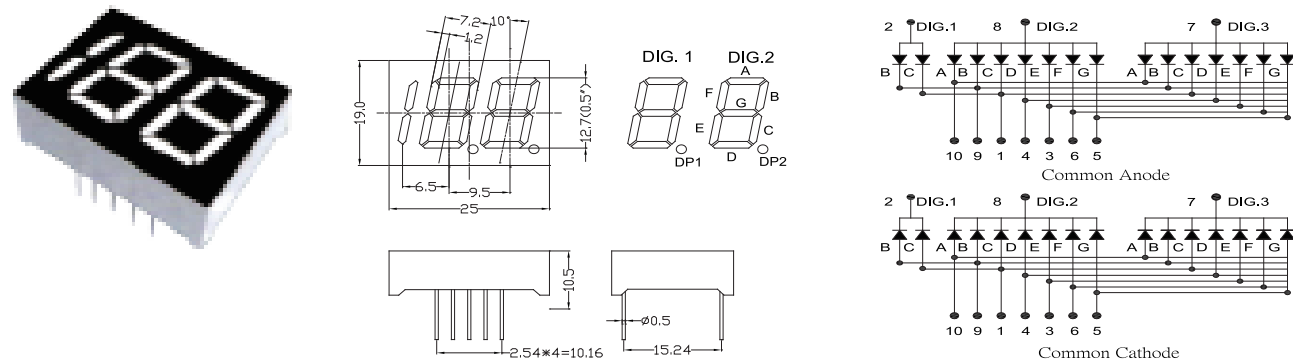
0.50" Three digits display



Part Number		Color	Wavelength(nm) λ D @ IF=20mA	V _F (V) @ IF=20mA	I _v (mcd) @ IF=20mA
Common Anode	Common Cathode				
OSL30501-IW	OSL30501-LW	White	10000K	3.1	65
OSL30501-IB	OSL30501-LB	Blue	465	3.1	50
OSL30501-IG	OSL30501-LG	Pure Green	525	3.1	200
OSL30501-IYG	OSL30501-LYG	Yellow Green	571	2.1	12
OSL30501-IY	OSL30501-LY	Yellow	590	2.1	60
OSL30501-IO	OSL30501-LO	Orange	605	2.1	70
OSL30501-IR	OSL30501-LR	Red	630	2.1	26
OSL30501-IRA	OSL30501-LRA	Super Bright Red	625	2.1	100

Through-hole Display
Package Dimension / Internal Circuit

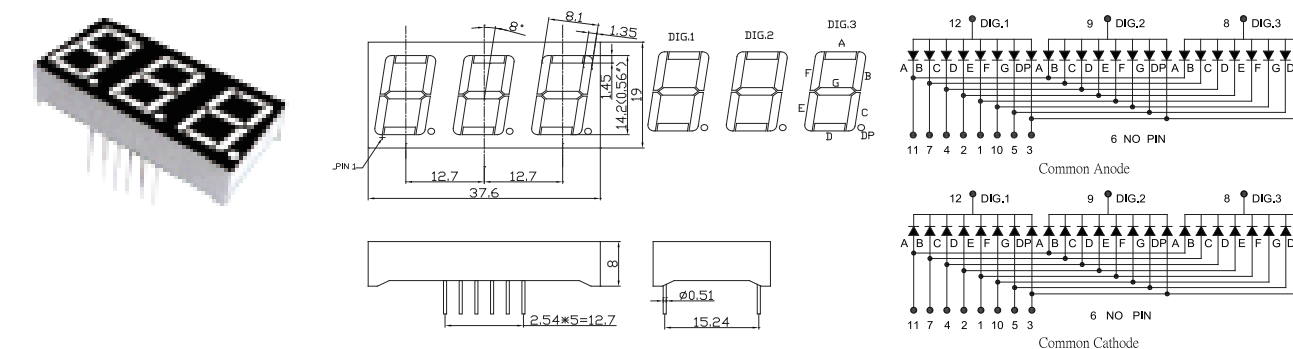
0.50" Three digits display



Part Number		Color	Wavelength(nm) λ D @ IF=20mA	V _F (V) @ IF=20mA	I _v (mcd) @ IF=20mA
Common Anode	Common Cathode				
OSL30502-IW	OSL30502-LW	White	10000K	3.1	65
OSL30502-IB	OSL30502-LB	Blue	465	3.1	50
OSL30502-IG	OSL30502-LG	Pure Green	525	3.1	200
OSL30502-IYG	OSL30502-LYG	Yellow Green	571	2.1	12
OSL30502-IY	OSL30502-LY	Yellow	590	2.1	60
OSL30502-IO	OSL30502-LO	Orange	605	2.1	70
OSL30502-IR	OSL30502-LR	Red	630	2.1	26
OSL30502-IRA	OSL30502-LRA	Super Bright Red	625	2.1	100

Package Dimension / Internal Circuit

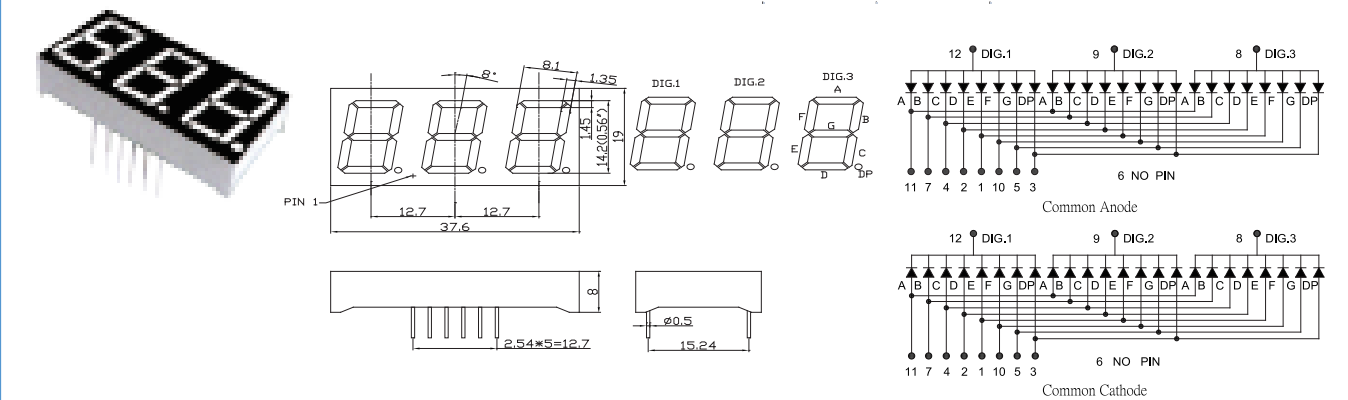
0.56" Three digits display



Part Number		Color	Wavelength(nm) λ D @ IF=20mA	V _F (V) @ IF=20mA	I _v (mcd) @ IF=20mA
Common Anode	Common Cathode				
OSL30561-IW	OSL30561-LW	White	10000K	3.1	65
OSL30561-IB	OSL30561-LB	Blue	465	3.1	50
OSL30561-IG	OSL30561-LG	Pure Green	525	3.1	200
OSL30561-IYG	OSL30561-LYG	Yellow Green	571	2.1	12
OSL30561-IY	OSL30561-LY	Yellow	590	2.1	60
OSL30561-IO	OSL30561-LO	Orange	605	2.1	70
OSL30561-IR	OSL30561-LR	Red	630	2.1	26
OSL30561-IRA	OSL30561-LRA	Super Bright Red	625	2.1	100

Through-hole Display
Package Dimension / Internal Circuit

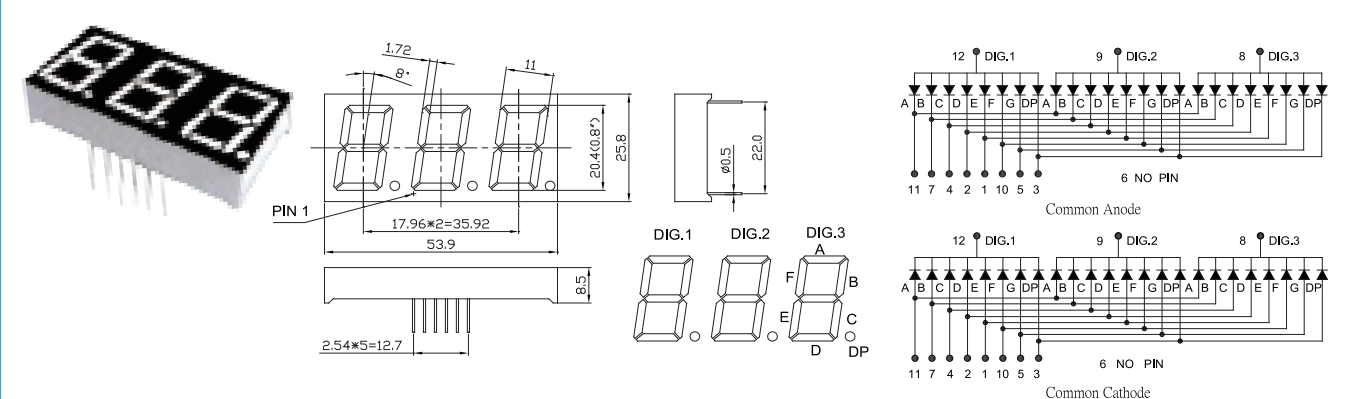
0.56" Three digits display



Part Number		Color	Wavelength(nm) λ D @ IF=20mA	V _F (V) @ IF=20mA	I _v (mcd) @ IF=20mA
Common Anode	Common Cathode				
OSL30563-IW	OSL30563-LW	White	10000K	3.1	65
OSL30563-IB	OSL30563-LB	Blue	465	3.1	50
OSL30563-IG	OSL30563-LG	Pure Green	525	3.1	200
OSL30563-IYG	OSL30563-LYG	Yellow Green	571	2.1	12
OSL30563-IY	OSL30563-LY	Yellow	590	2.1	60
OSL30563-IO	OSL30563-LO	Orange	605	2.1	70
OSL30563-IR	OSL30563-LR	Red	630	2.1	26
OSL30563-IRA	OSL30563-LRA	Super Bright Red	625	2.1	100

Package Dimension / Internal Circuit

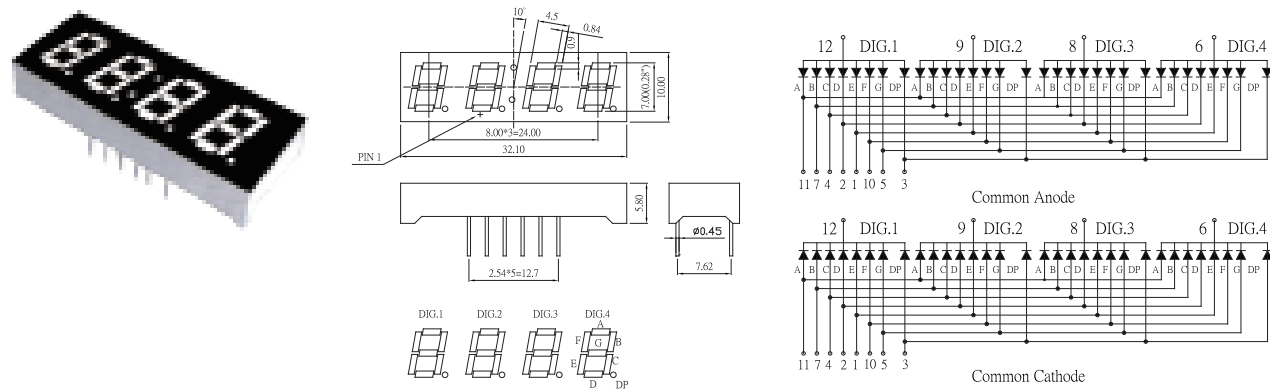
0.80" Three digits display



Part Number		Color	Wavelength(nm) λ D @ IF=20mA	V _F (V) @ IF=20mA	I _v (mcd) @ IF=20mA
Common Anode	Common Cathode				
OSL30801-IW	OSL30801-LW	White	10000K	3.1	65
OSL30801-IB	OSL30801-LB	Blue	465	3.1	50
OSL30801-IG	OSL30801-LG	Pure Green	525	3.1	200
OSL30801-IYG	OSL30801-LYG	Yellow Green	571	2.1	12
OSL30801-IY	OSL30801-LY	Yellow	590	2.1	60
OSL30801-IO	OSL30801-LO	Orange	605	2.1	70
OSL30801-IR	OSL30801-LR	Red	630	2.1	26
OSL30801-IRA	OSL30801-LRA	Super Bright Red	625	2.1	100

Through-hole Display
Package Dimension / Internal Circuit

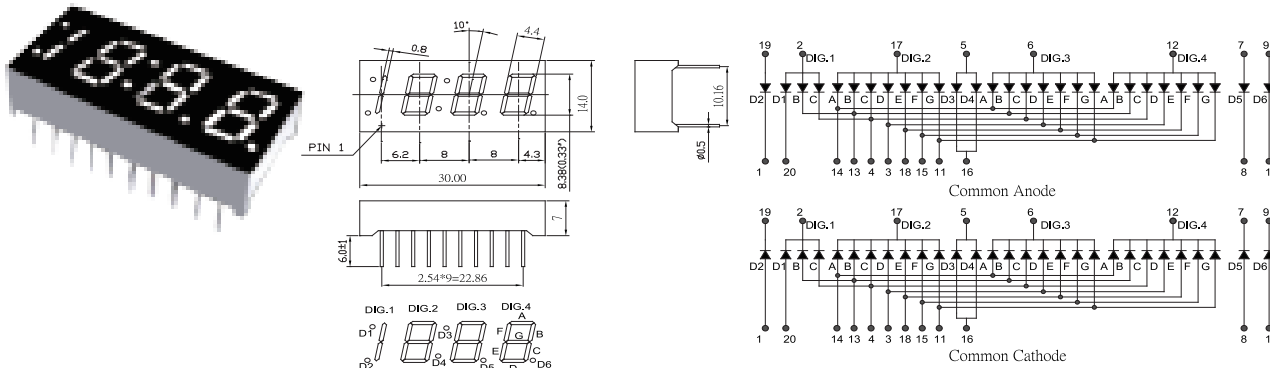
0.28" Four digits display



Part Number		Color	Wavelength(nm) λ D @ IF=20mA	V _F (V) @ IF=20mA	I _v (mcd) @ IF=20mA
Common Anode	Common Cathode				
OSL40281-IB	OSL40281-LB	Blue	465	3.1	50
OSL40281-IG	OSL40281-LG	Pure Green	525	3.1	200
OSL40281-IYG	OSL40281-LYG	Yellow Green	571	2.1	12
OSL40281-IY	OSL40281-LY	Yellow	590	2.1	60
OSL40281-IO	OSL40281-LO	Orange	605	2.1	70
OSL40281-IR	OSL40281-LR	Red	630	2.1	26
OSL40281-IRA	OSL40281-LRA	Super Bright Red	625	2.1	100

Package Dimension / Internal Circuit

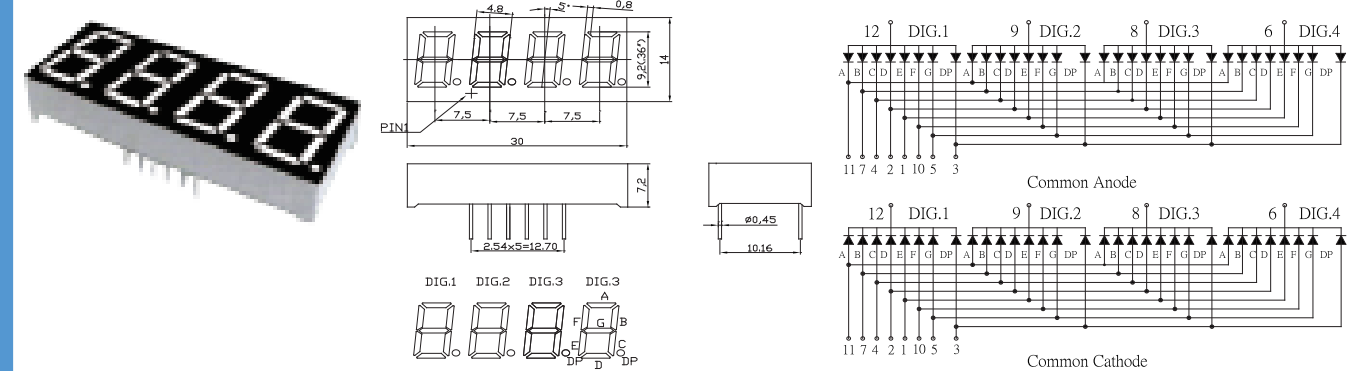
0.33" Four digits display



Part Number		Color	Wavelength(nm) λ D @ IF=20mA	V _F (V) @ IF=20mA	I _v (mcd) @ IF=20mA
Common Anode	Common Cathode				
OSL40331-IW	OSL40331-LW	White	10000K	3.1	65
OSL40331-IB	OSL40331-LB	Blue	465	3.1	50
OSL40331-IG	OSL40331-LG	Pure Green	525	3.1	200
OSL40331-IYG	OSL40331-LYG	Yellow Green	571	2.1	12
OSL40331-IY	OSL40331-LY	Yellow	590	2.1	60
OSL40331-IO	OSL40331-LO	Orange	605	2.1	70
OSL40331-IR	OSL40331-LR	Red	630	2.1	26
OSL40331-IRA	OSL40331-LRA	Super Bright Red	625	2.1	100

Through-hole Display
Package Dimension / Internal Circuit

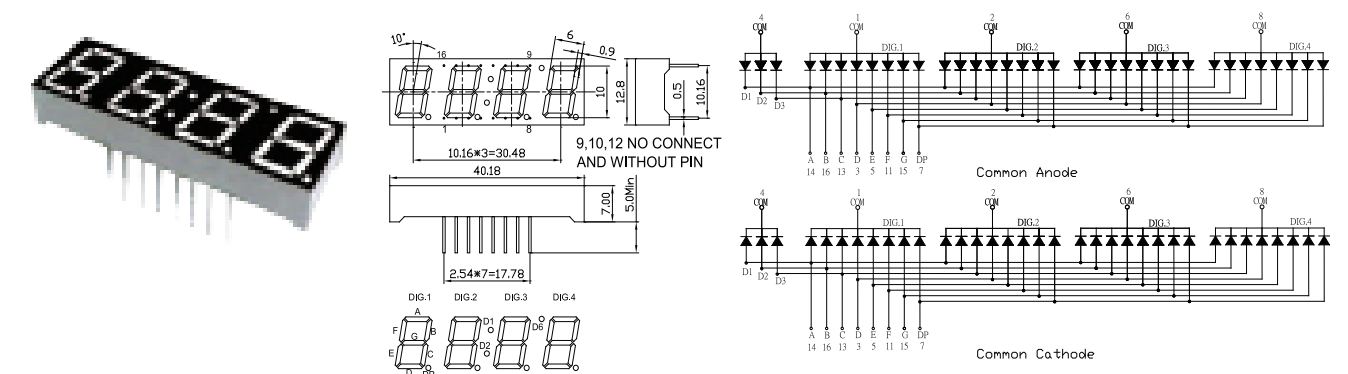
0.36" Four digits display



Part Number		Color	Wavelength(nm) λ D @ IF=20mA	V _F (V) @ IF=20mA	I _v (mcd) @ IF=20mA
Common Anode	Common Cathode				
OSL40361-IW	OSL40361-LW	White	10000K	3.1	65
OSL40361-IB	OSL40361-LB	Blue	465	3.1	50
OSL40361-IG	OSL40361-LG	Pure Green	525	3.1	200
OSL40361-IYG	OSL40361-LYG	Yellow Green	571	2.1	12
OSL40361-IY	OSL40361-LY	Yellow	590	2.1	60
OSL40361-IO	OSL40361-LO	Orange	605	2.1	70
OSL40361-IR	OSL40361-LR	Red	630	2.1	26
OSL40361-IRA	OSL40361-LRA	Super Bright Red	625	2.1	100

Package Dimension / Internal Circuit

0.39" Four digits display

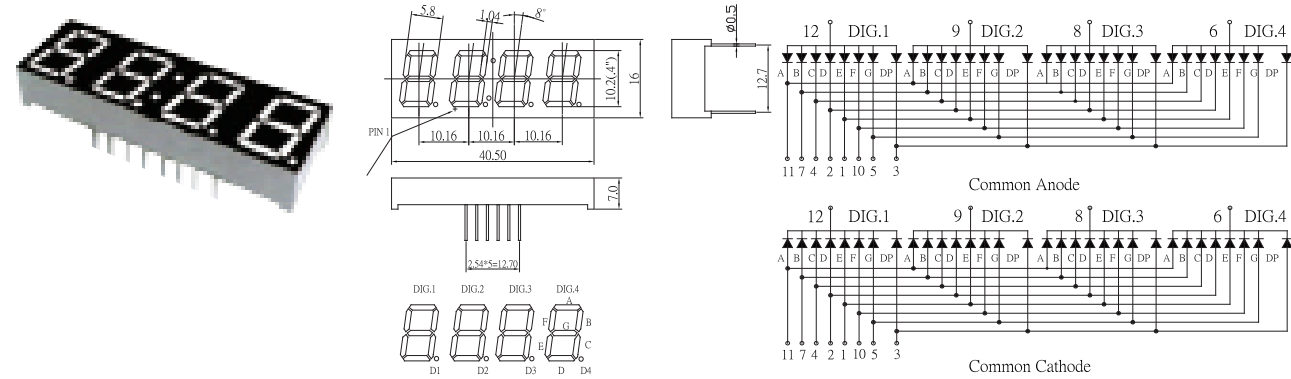


Part Number		Color	Wavelength(nm) λ D @ IF=20mA	V _F (V) @ IF=20mA	I _v (mcd) @ IF=20mA
Common Anode	Common Cathode				
OSL40391-IW	OSL40391-LW	White	10000K	3.1	65
OSL40391-IB	OSL40391-LB	Blue	465	3.1	50
OSL40391-IG	OSL40391-LG	Pure Green	525	3.1	200
OSL40391-IYG	OSL40391-LYG	Yellow Green	571	2.1	12
OSL40391-IY	OSL40391-LY	Yellow	590	2.1	60
OSL40391-IO	OSL40391-LO	Orange	605	2.1	70
OSL40391-IR	OSL40391-LR	Red	630	2.1	26
OSL40391-IRA	OSL40391-LRA	Super Bright Red	625	2.1	100

Through-hole Display

Package Dimension / Internal Circuit

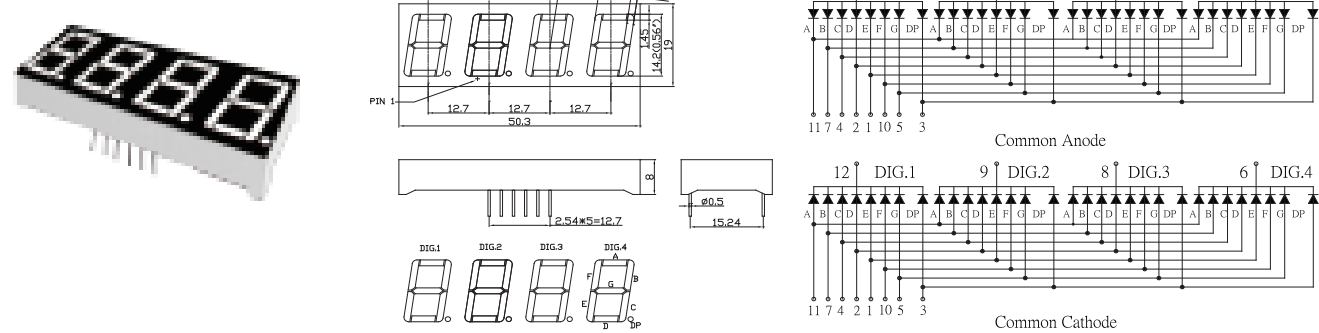
0.40" Four digits display



Part Number		Color	Wavelength(nm) λ D @ IF=20mA	V _f (V) @ IF=20mA	I _v (mcd) @ IF=20mA
Common Anode	Common Cathode				
OSL40401-IW	OSL40401-LW	White	10000K	3.1	65
OSL40401-IB	OSL40401-LB	Blue	465	3.1	50
OSL40401-IG	OSL40401-LG	Pure Green	525	3.1	200
OSL40401-IYG	OSL40401-LYG	Yellow Green	571	2.1	12
OSL40401-IY	OSL40401-LY	Yellow	590	2.1	60
OSL40401-IO	OSL40401-LO	Orange	605	2.1	70
OSL40401-IR	OSL40401-LR	Red	630	2.1	26
OSL40401-IRA	OSL40401-LRA	Super Bright Red	625	2.1	100

Package Dimension / Internal Circuit

0.56" Four digits display

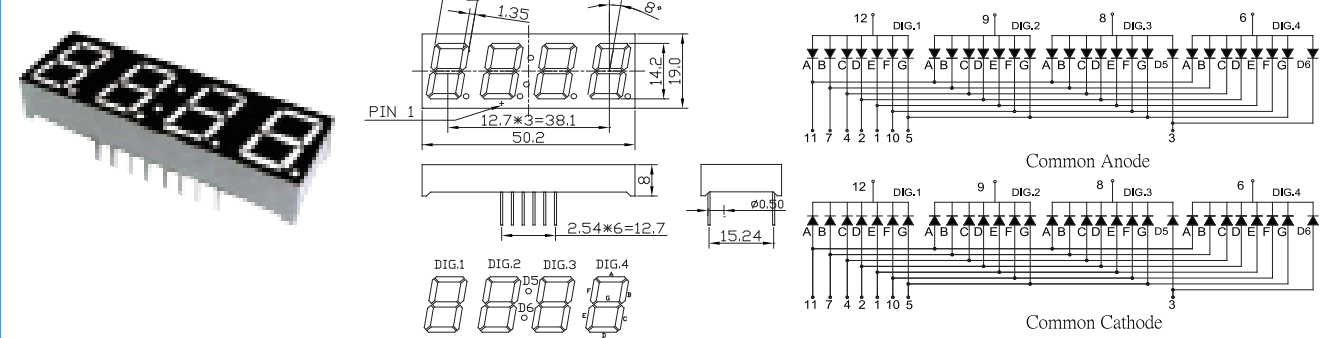


Part Number		Color	Wavelength(nm) λ D @ IF=20mA	V _f (V) @ IF=20mA	I _v (mcd) @ IF=20mA
Common Anode	Common Cathode				
OSL40567-IW	OSL40567-LW	White	10000K	3.1	65
OSL40567-IB	OSL40567-LB	Blue	465	3.1	50
OSL40567-IG	OSL40567-LG	Pure Green	525	3.1	200
OSL40567-IYG	OSL40567-LYG	Yellow Green	571	2.1	12
OSL40567-IY	OSL40567-LY	Yellow	590	2.1	60
OSL40567-IO	OSL40567-LO	Orange	605	2.1	70
OSL40567-IR	OSL40567-LR	Red	630	2.1	26
OSL40567-IRA	OSL40567-LRA	Super Bright Red	625	2.1	100

Through-hole Display

Package Dimension / Internal Circuit

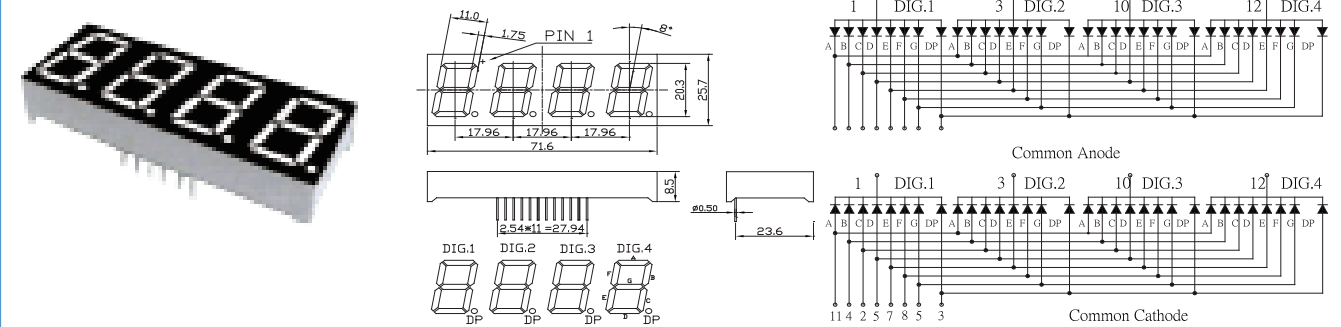
0.56" Four digits display



Part Number		Color	Wavelength(nm) λ D @ IF=20mA	V _f (V) @ IF=20mA	I _v (mcd) @ IF=20mA
Common Anode	Common Cathode				
OSL40565-IW	OSL40565-LW	White	10000K	3.1	65
OSL40565-IB	OSL40565-LB	Blue	465	3.1	50
OSL40565-IG	OSL40565-LG	Pure Green	525	3.1	200
OSL40565-IYG	OSL40565-LYG	Yellow Green	571	2.1	12
OSL40565-IY	OSL40565-LY	Yellow	590	2.1	60
OSL40565-IO	OSL40565-LO	Orange	605	2.1	70
OSL40565-IR	OSL40565-LR	Red	630	2.1	26
OSL40565-IRA	OSL40565-LRA	Super Bright Red	625	2.1	100

Package Dimension / Internal Circuit

0.80" Four digits display

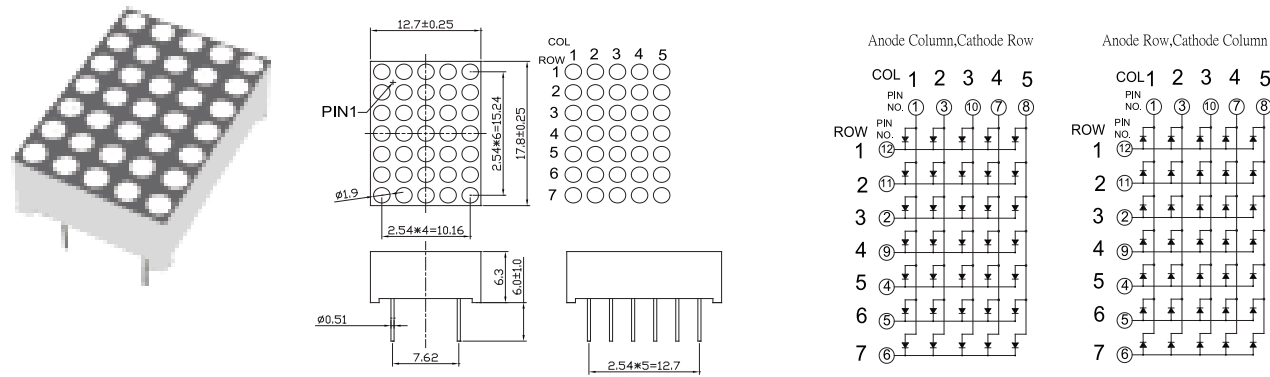


Part Number		Color	Wavelength(nm) λ D @ IF=20mA	V _f (V) @ IF=20mA	I _v (mcd) @ IF=20mA
Common Anode	Common Cathode				
OSL40802-IW	OSL40802-LW	White	10000K	3.1	65
OSL40802-IB	OSL40802-LB	Blue	465	3.1	50
OSL40802-IG	OSL40802-LG	Pure Green	525	3.1	200
OSL40802-IYG	OSL40802-LYG	Yellow Green	571	2.1	12
OSL40802-IY	OSL40802-LY	Yellow	590	2.1	60
OSL40802-IO	OSL40802-LO	Orange	605	2.1	70
OSL40802-IR	OSL40802-LR	Red	630	2.1	26
OSL40802-IRA	OSL40802-LRA	Super Bright Red	625	2.1	100

Dot Matrix

Package Dimension / Internal Circuit

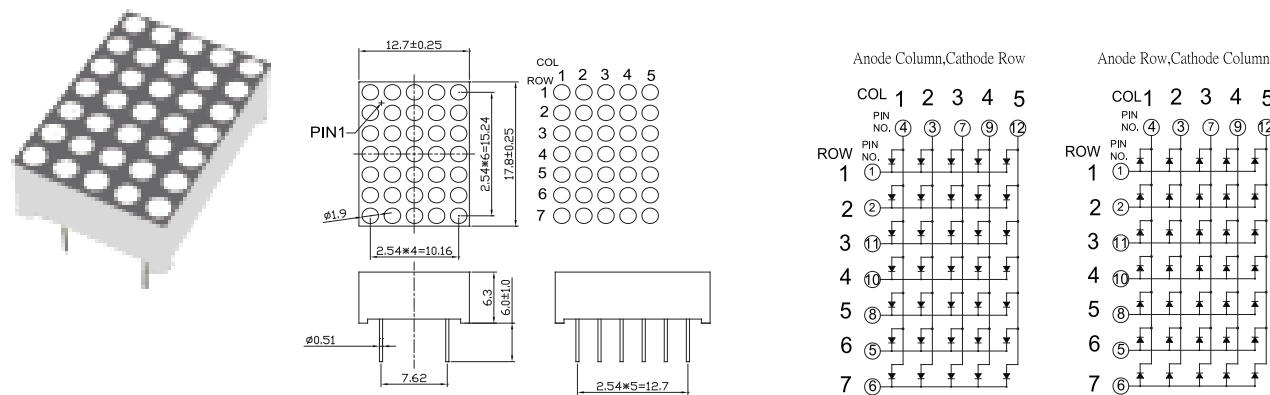
0.70" 5x7 dot matrix display



Part Number		Color	Wavelength(nm) λ D @ IF=20mA	V _f (V) @ IF=20mA	I _v (mcd) @ IF=20mA
Anode Column,Cathode Row	Anode Row,Cathode Column				
OSL350701-AW	OSL350701-BW	White	10000K	3.1	65
OSL350701-AB	OSL350701-BB	Blue	465	3.1	50
OSL350701-AG	OSL350701-BG	Pure Green	525	3.1	200
OSL350701-AYG	OSL350701-BYG	Yellow Green	571	2.1	12
OSL350701-AY	OSL350701-BY	Yellow	590	2.1	60
OSL350701-AO	OSL350701-BO	Orange	605	2.1	70
OSL350701-AR	OSL350701-BR	Red	630	2.1	26
OSL350701-ARA	OSL350701-BRA	Super Bright Red	625	2.1	100

Package Dimension / Internal Circuit

0.70" 5x7 dot matrix display

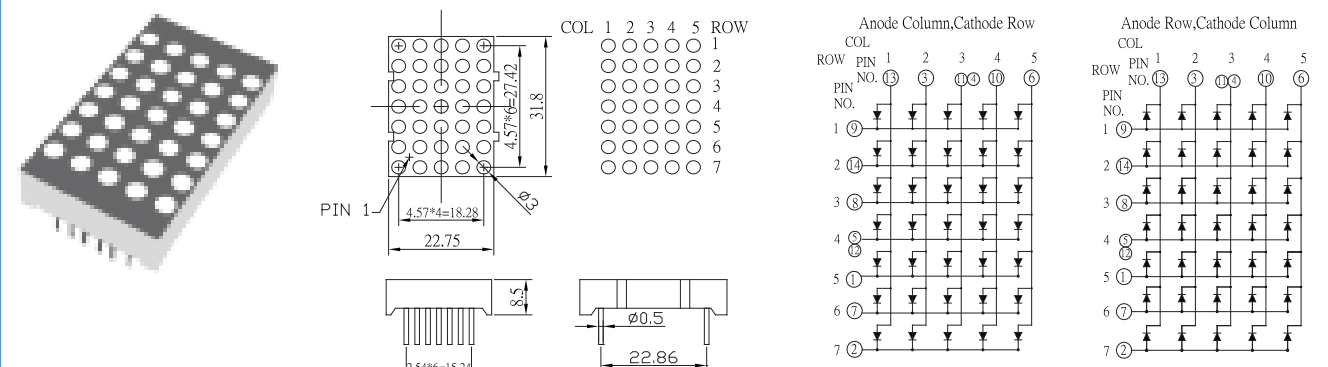


Part Number		Color	Wavelength(nm) λ D @ IF=20mA	V _f (V) @ IF=20mA	I _v (mcd) @ IF=20mA
Anode Column,Cathode Row	Anode Row,Cathode Column				
OSL350702-AW	OSL350702-BW	White	10000K	3.1	65
OSL350702-AB	OSL350702-BB	Blue	465	3.1	50
OSL350702-AG	OSL350702-BG	Pure Green	525	3.1	200
OSL350702-AYG	OSL350702-BYG	Yellow Green	571	2.1	12
OSL350702-AY	OSL350702-BY	Yellow	590	2.1	60
OSL350702-AO	OSL350702-BO	Orange	605	2.1	70
OSL350702-AR	OSL350702-BR	Red	630	2.1	26
OSL350702-ARA	OSL350702-BRA	Super Bright Red	625	2.1	100

Dot Matrix

Package Dimension / Internal Circuit

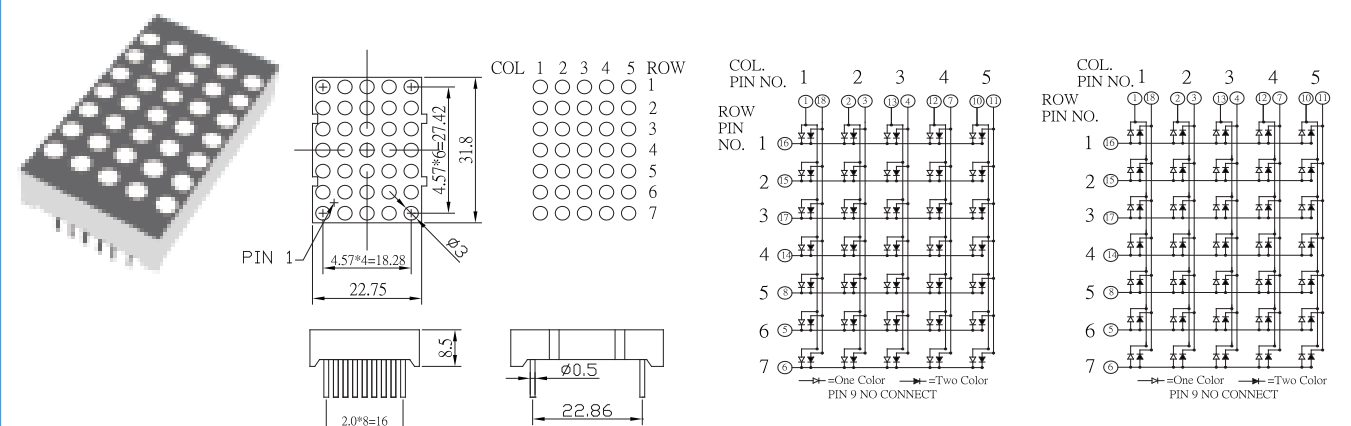
1.25" 5x7 dot matrix display



Part Number		Color	Wavelength(nm) λ D @ IF=20mA	V _f (V) @ IF=20mA	I _v (mcd) @ IF=20mA
Anode Column,Cathode Row	Anode Row,Cathode Column				
OSL351251-AW	OSL351251-BW	White	10000K	3.1	65
OSL351251-AB	OSL351251-BB	Blue	465	3.1	50
OSL351251-AG	OSL351251-BG	Pure Green	525	3.1	200
OSL351251-AYG	OSL351251-BYG	Yellow Green	571	2.1	12
OSL351251-AY	OSL351251-BY	Yellow	590	2.1	60
OSL351251-AO	OSL351251-BO	Orange	605	2.1	70
OSL351251-AR	OSL351251-BR	Red	630	2.1	26
OSL351251-ARA	OSL351251-BRA	Super Bright Red	625	2.1	100

Package Dimension / Internal Circuit

1.25" 5x7 bi-color dot matrix display

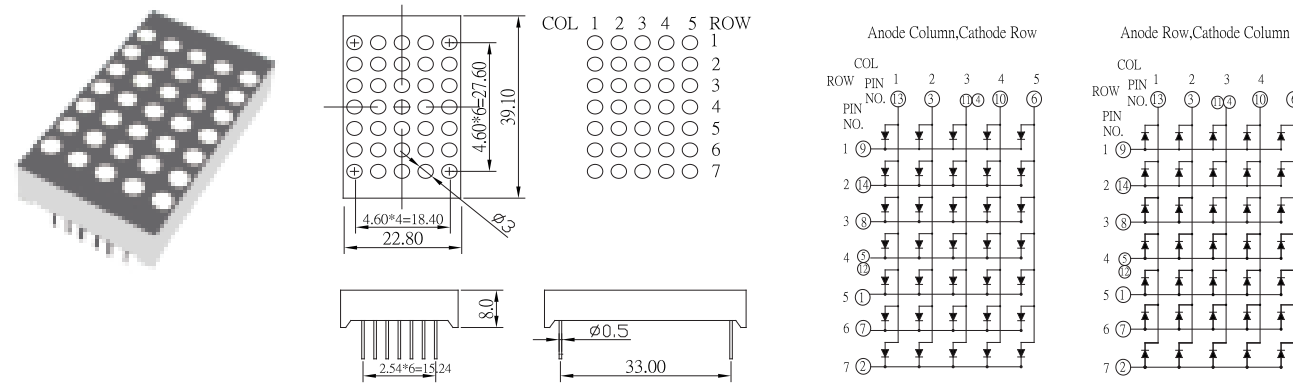


Part Number		Color	Wavelength(nm) λ D @ IF=20mA	V _f (V) @ IF=20mA	I _v (mcd) @ IF=20mA
Anode Column,Cathode Row	Anode Row,Cathode Column				
Any two of available colors can be combined		Blue	465	3.1	50
OSL351252-AXX(X)		Pure Green	525	3.1	200
		Yellow Green	571	2.1	12
		Yellow	590	2.1	60
		Orange	605	2.1	70
		Red	630	2.1	26
OSL351252-BXX(X)		Super Bright Red	625	2.1	100

Dot Matrix

Package Dimension / Internal Circuit

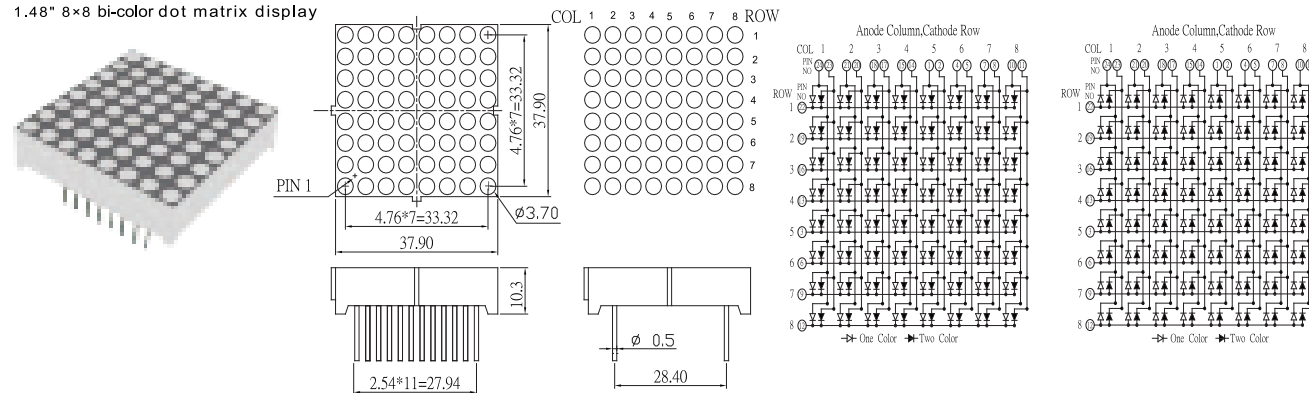
1.54" 5x7 dot matrix display



Part Number		Color	Wavelength(nm) λ D @ IF=20mA	V _F (V) @ IF=20mA	I _v (mcd) @ IF=20mA
Anode Column,Cathode Row	Anode Row,Cathode Column				
OSL351541-AW	OSL351541-BW	White	10000K	3.1	65
OSL351541-AB	OSL351541-BB	Blue	465	3.1	50
OSL351541-AG	OSL351541-BG	Pure Green	525	3.1	200
OSL351541-AYG	OSL351541-BYG	Yellow Green	571	2.1	12
OSL351541-AY	OSL351541-BY	Yellow	590	2.1	60
OSL351541-AO	OSL351541-BO	Orange	605	2.1	70
OSL351541-AR	OSL351541-BR	Red	630	2.1	26
OSL351541-ARA	OSL351541-BRA	Super Bright Red	625	2.1	100

Package Dimension / Internal Circuit

1.48" 8x8 bi-color dot matrix display

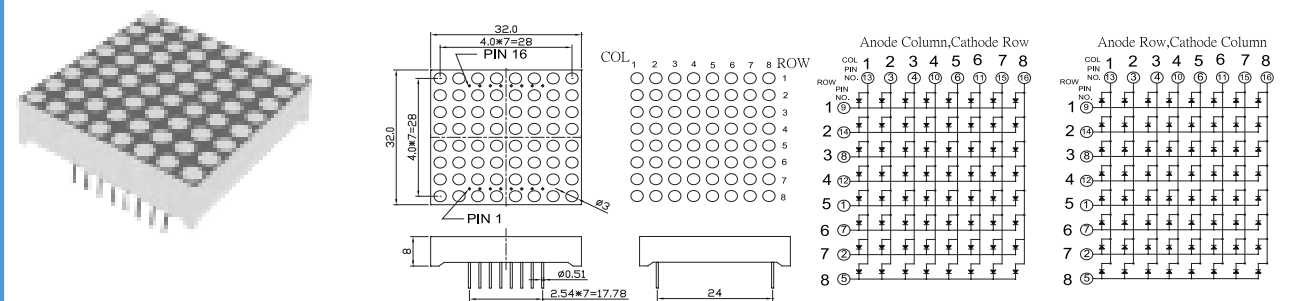


Part Number		Color	Wavelength(nm) λ D @ IF=20mA	V _F (V) @ IF=20mA	I _v (mcd) @ IF=20mA
Anode Column,Cathode Row	Anode Row,Cathode Column				
Any two of available colors can be combined		Blue	465	3.1	50
OSL641507-AXX(X)	OSL641507-BXX(X)	Pure Green	525	3.1	200
		Yellow Green	571	2.1	12
		Yellow	590	2.1	60
		Orange	605	2.1	70
		Red	630	2.1	26
		Super Bright Red	625	2.1	100

Dot Matrix

Package Dimension / Internal Circuit

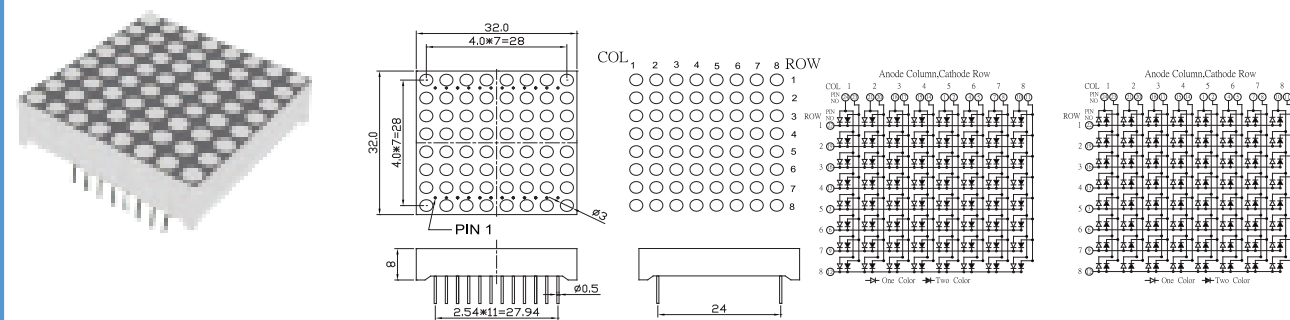
1.25" 8x8 dot matrix display



Part Number		Color	Wavelength(nm) λ D @ IF=20mA	V _F (V) @ IF=20mA	I _v (mcd) @ IF=20mA
Anode Column,Cathode Row	Anode Row,Cathode Column				
OSL641252-AW	OSL641252-BW	White	10000K	3.1	65
OSL641252-AB	OSL641252-BB	Blue	465	3.1	50
OSL641252-AG	OSL641252-BG	Pure Green	525	3.1	200
OSL641252-AYG	OSL641252-BYG	Yellow Green	571	2.1	12
OSL641252-AY	OSL641252-BY	Yellow	590	2.1	60
OSL641252-AO	OSL641252-BO	Orange	605	2.1	70
OSL641252-AR	OSL641252-BR	Red	630	2.1	26
OSL641252-ARA	OSL641252-BRA	Super Bright Red	625	2.1	100

Package Dimension / Internal Circuit

1.25" 8x8 bi-color dot matrix display

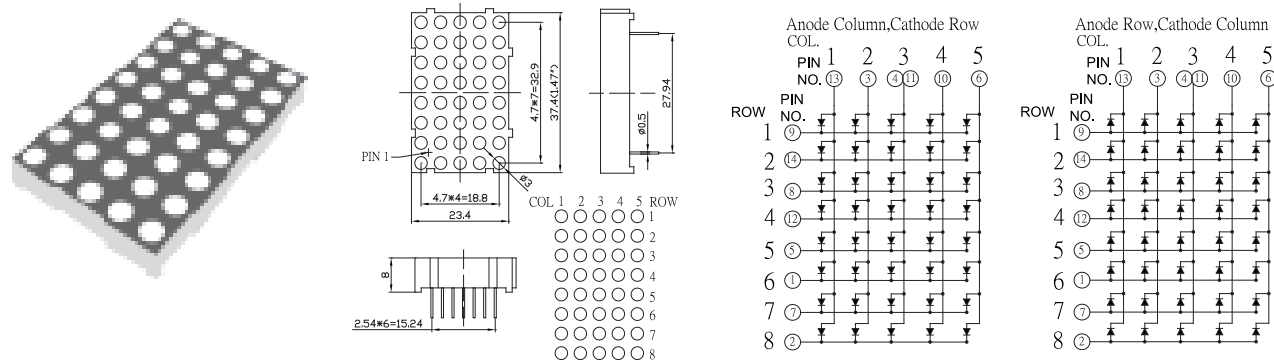


Part Number		Color	Wavelength(nm) λ D @ IF=20mA	V _F (V) @ IF=20mA	I _v (mcd) @ IF=20mA
Anode Column,Cathode Row	Anode Row,Cathode Column				
Any two of available colors can be combined		Blue	465	3.1	50
OSL641256-AXX(X)	OSL641256-BXX(X)	Pure Green	525	3.1	200
		Yellow Green	571	2.1	12
		Yellow	590	2.1	60
		Orange	605	2.1	70
		Red	630	2.1	26
		Super Bright Red	625	2.1	100

Dot Matrix

Package Dimension / Internal Circuit

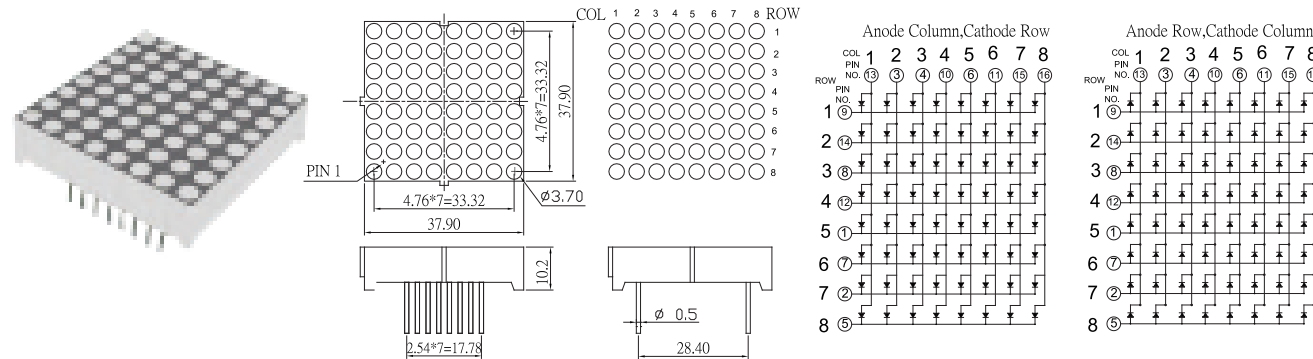
1.47" 5x8 dot matrix display



Part Number		Color	Wavelength(nm) λ D @ IF=20mA	V _F (V) @ IF=20mA	I _v (mcd) @ IF=20mA
Anode Column,Cathode Row	Anode Row,Cathode Column				
OSL401471-AW	OSL401471-BW	White	10000K	3.1	65
OSL401471-AB	OSL401471-BB	Blue	465	3.1	50
OSL401471-AG	OSL401471-BG	Pure Green	525	3.1	200
OSL401471-AYG	OSL401471-BYG	Yellow Green	571	2.1	12
OSL401471-AY	OSL401471-BY	Yellow	590	2.1	60
OSL401471-AO	OSL401471-BO	Orange	605	2.1	70
OSL401471-AR	OSL401471-BR	Red	630	2.1	26
OSL401471-ARA	OSL401471-BRA	Super Bright Red	625	2.1	100

Package Dimension / Internal Circuit

1.5" 8x8 dot matrix display

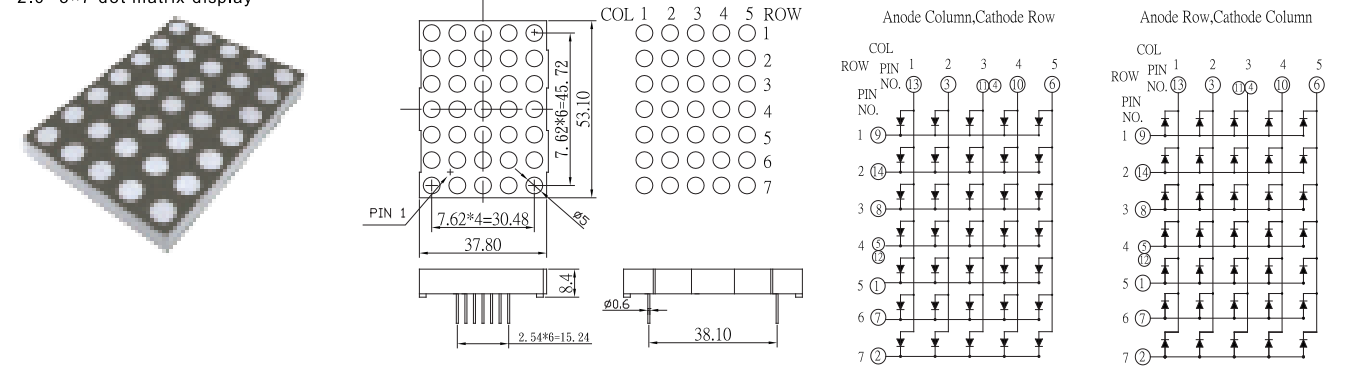


Part Number		Color	Wavelength(nm) λ D @ IF=20mA	V _F (V) @ IF=20mA	I _v (mcd) @ IF=20mA
Anode Column,Cathode Row	Anode Row,Cathode Column				
OSL641501-AW	OSL641501-BW	White	10000K	3.1	65
OSL641501-AB	OSL641501-BB	Blue	465	3.1	50
OSL641501-AG	OSL641501-BG	Pure Green	525	3.1	200
OSL641501-AYG	OSL641501-BYG	Yellow Green	571	2.1	12
OSL641501-AY	OSL641501-BY	Yellow	590	2.1	60
OSL641501-AO	OSL641501-BO	Orange	605	2.1	70
OSL641501-AR	OSL641501-BR	Red	630	2.1	26
OSL641501-ARA	OSL641501-BRA	Super Bright Red	625	2.1	100

Dot Matrix

Package Dimension / Internal Circuit

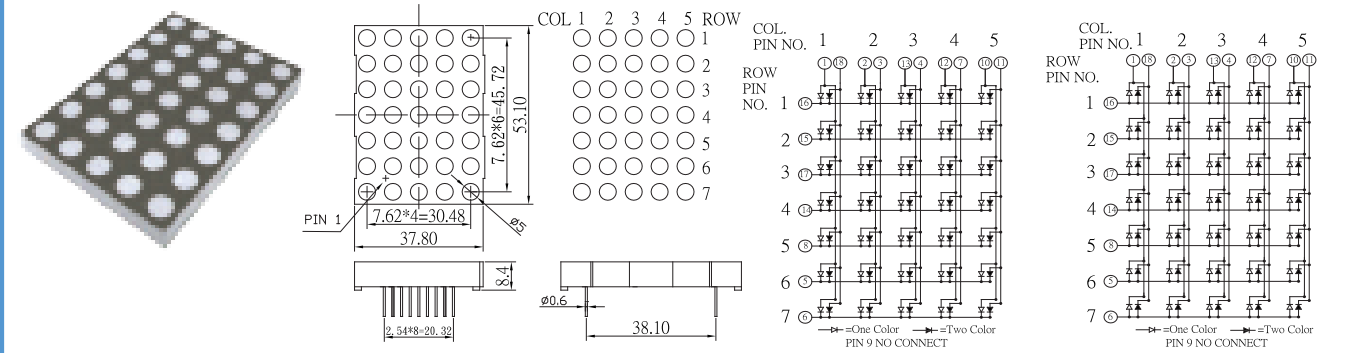
2.0" 5x7 dot matrix display



Part Number		Color	Wavelength(nm) λ D @ IF=20mA	V _F (V) @ IF=20mA	I _v (mcd) @ IF=20mA
Anode Column,Cathode Row	Anode Row,Cathode Column				
OSL352002-AW	OSL352002-BW	White	10000K	3.1	65
OSL352002-AB	OSL352002-BB	Blue	465	3.1	50
OSL352002-AG	OSL352002-BG	Pure Green	525	3.1	200
OSL352002-AYG	OSL352002-BYG	Yellow Green	571	2.1	12
OSL352002-AY	OSL352002-BY	Yellow	590	2.1	60
OSL352002-AO	OSL352002-BO	Orange	605	2.1	70
OSL352002-AR	OSL352002-BR	Red	630	2.1	26
OSL352002-ARA	OSL352002-BRA	Super Bright Red	625	2.1	100

Package Dimension / Internal Circuit

2.0" 5x7 bi-color dot matrix display

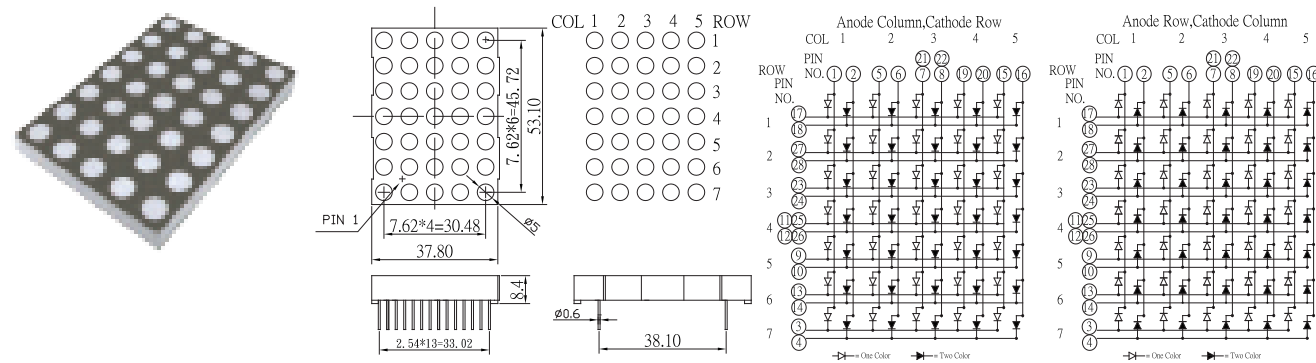


Part Number		Color	Wavelength(nm) λ D @ IF=20mA	V _F (V) @ IF=20mA	I _v (mcd) @ IF=20mA
Anode Column,Cathode Row	Anode Row,Cathode Column				
Any two of available colors can be combined		Blue	465	3.1	50
OSL352003-AXX(X)	OSL352003-BXX(X)	Pure Green	525	3.1	200
		Yellow Green	571	2.1	12
		Yellow	590	2.1	60
		Orange	605	2.1	70
		Red	630	2.1	26
		Super Bright Red	625	2.1	100

Dot Matrix

Package Dimension / Internal Circuit

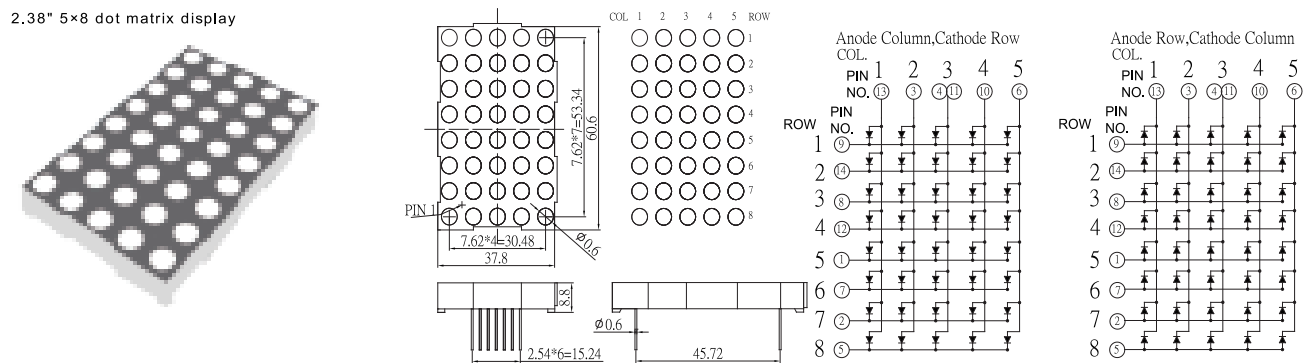
2.0" 5x7 bi-color dot matrix display



Part Number		Color	Wavelength(nm) $\lambda D @ IF=20mA$	$V_f(V) @ IF=20mA$	$I_v(mcd) @ IF=20mA$
Anode Column,Cathode Row	Anode Row,Cathode Column				
Any two of available colors can be combined		Blue	465	3.1	50
OSL352004-AXX(X)	OSL352004-BXX(X)	Pure Green	525	3.1	200
		Yellow Green	571	2.1	12
		Yellow	590	2.1	60
		Orange	605	2.1	70
		Red	630	2.1	26
		Super Bright Red	625	2.1	100

Package Dimension / Internal Circuit

2.38" 5x8 dot matrix display

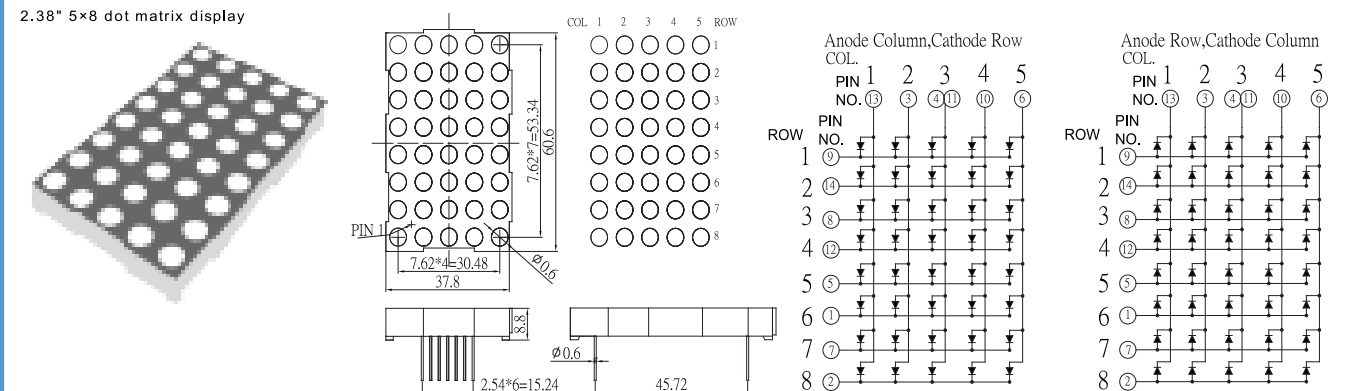


Part Number		Color	Wavelength(nm) $\lambda D @ IF=20mA$	$V_f(V) @ IF=20mA$	$I_v(mcd) @ IF=20mA$
Anode Column,Cathode Row	Anode Row,Cathode Column				
Any two of available colors can be combined		Blue	465	3.1	50
OSL402382-AXX(X)	OSL402382-BXX(X)	Pure Green	525	3.1	200
		Yellow Green	571	2.1	12
		Yellow	590	2.1	60
		Orange	605	2.1	70
		Red	630	2.1	26
		Super Bright Red	625	2.1	100

Dot Matrix

Package Dimension / Internal Circuit

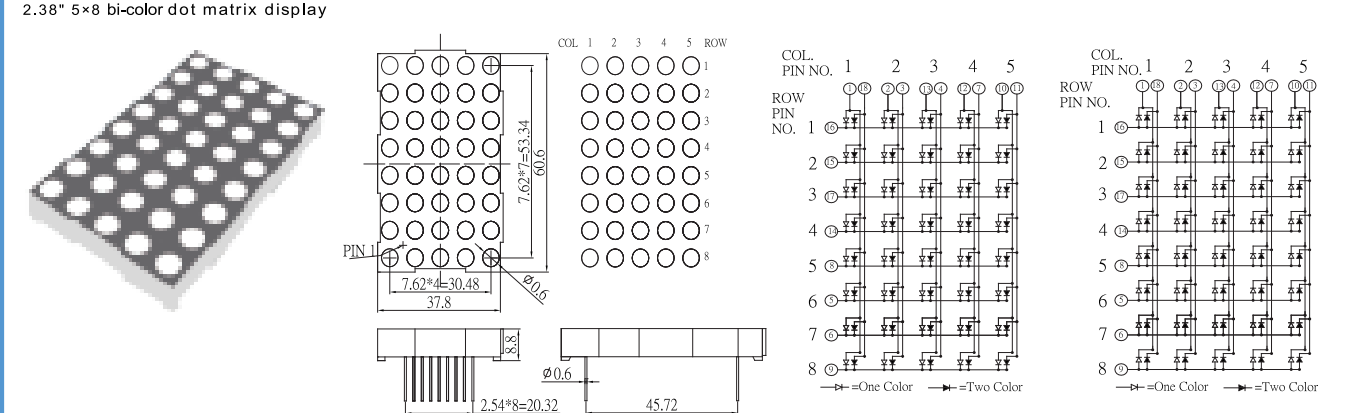
2.38" 5x8 dot matrix display



Part Number		Color	Wavelength(nm) $\lambda D @ IF=20mA$	$V_f(V) @ IF=20mA$	$I_v(mcd) @ IF=20mA$
Anode Column,Cathode Row	Anode Row,Cathode Column				
Any two of available colors can be combined		Blue	465	3.1	50
OSL402381-AXX(X)	OSL402381-BXX(X)	Pure Green	525	3.1	200
		Yellow Green	571	2.1	12
		Yellow	590	2.1	60
		Orange	605	2.1	70
		Red	630	2.1	26
		Super Bright Red	625	2.1	100

Package Dimension / Internal Circuit

2.38" 5x8 bi-color dot matrix display

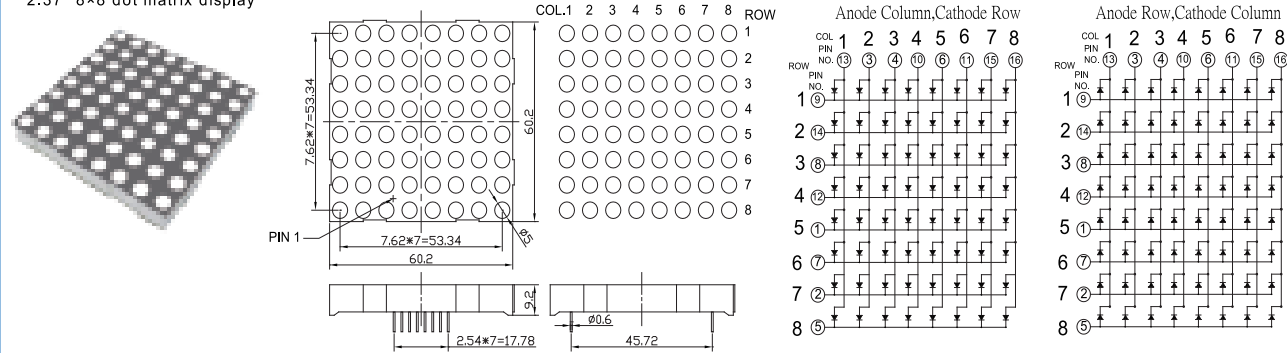


Part Number		Color	Wavelength(nm) $\lambda D @ IF=20mA$	$V_f(V) @ IF=20mA$	$I_v(mcd) @ IF=20mA$
Anode Column,Cathode Row	Anode Row,Cathode Column				
Any two of available colors can be combined		Blue	465	3.1	50
OSL402383-AXX(X)	OSL402383-BXX(X)	Pure Green	525	3.1	200
		Yellow Green	571	2.1	12
		Yellow	590	2.1	60
		Orange	605	2.1	70
		Red	630	2.1	26
		Super Bright Red	625	2.1	100

Dot Matrix

Package Dimension / Internal Circuit

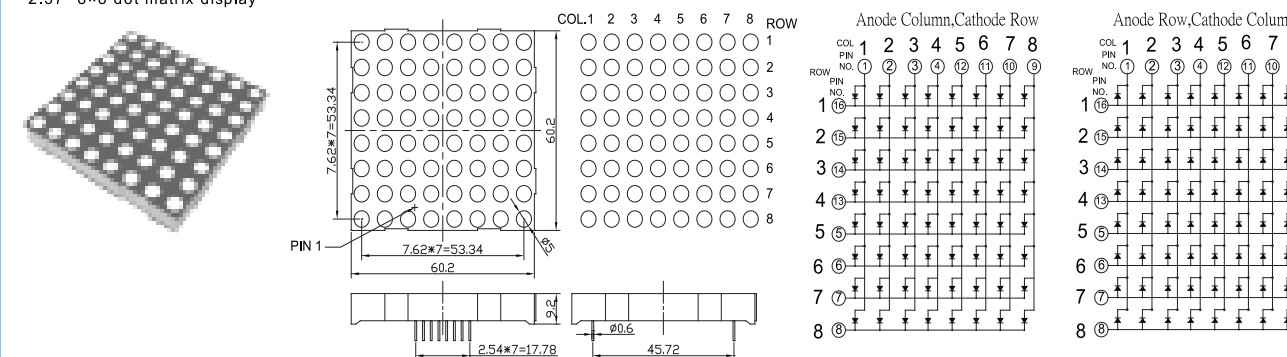
2.37" 8x8 dot matrix display



Part Number		Color	Wavelength(nm) λ D @ IF=20mA	V _f (V) @ IF=20mA	I _v (mcd) @ IF=20mA
Anode Column,Cathode Row	Anode Row,Cathode Column				
OSL642371-AW	OSL642371-BW	White	10000K	3.1	65
OSL642371-AB	OSL642371-BB	Blue	465	3.1	50
OSL642371-AG	OSL642371-BG	Pure Green	525	3.1	200
OSL642371-AYG	OSL642371-BYG	Yellow Green	571	2.1	12
OSL642371-AY	OSL642371-BY	Yellow	590	2.1	60
OSL642371-AO	OSL642371-BO	Orange	605	2.1	70
OSL642371-AR	OSL642371-BR	Red	630	2.1	26
OSL642371-ARA	OSL642371-BRA	Super Bright Red	625	2.1	100

Package Dimension / Internal Circuit

2.37" 8x8 dot matrix display

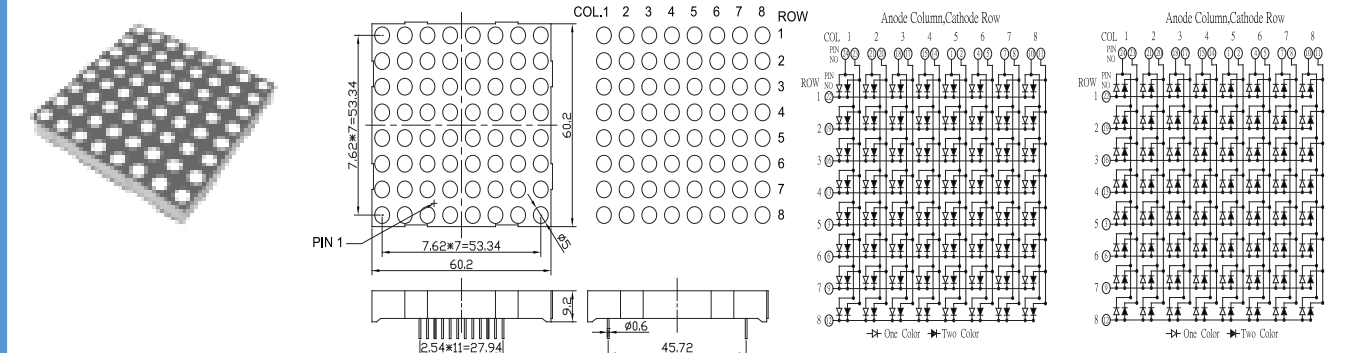


Part Number		Color	Wavelength(nm) λ D @ IF=20mA	V _f (V) @ IF=20mA	I _v (mcd) @ IF=20mA
Anode Column,Cathode Row	Anode Row,Cathode Column				
OSL642374-AW	OSL642374-BW	White	10000K	3.1	65
OSL642374-AB	OSL642374-BB	Blue	465	3.1	50
OSL642374-AG	OSL642374-BG	Pure Green	525	3.1	200
OSL642374-AYG	OSL642374-BYG	Yellow Green	571	2.1	12
OSL642374-AY	OSL642374-BY	Yellow	590	2.1	60
OSL642374-AO	OSL642374-BO	Orange	605	2.1	70
OSL642374-AR	OSL642374-BR	Red	630	2.1	26
OSL642374-ARA	OSL642374-BRA	Super Bright Red	625	2.1	100

Dot Matrix

Package Dimension / Internal Circuit

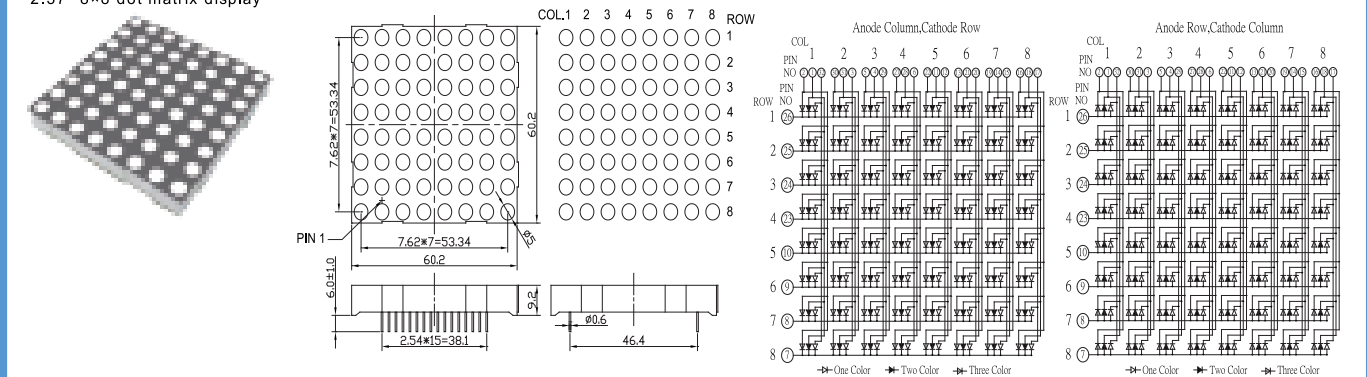
2.37" 8x8 bi-color dot matrix display



Part Number		Color	Wavelength(nm) λ D @ IF=20mA	V _f (V) @ IF=20mA	I _v (mcd) @ IF=20mA
Anode Column,Cathode Row	Anode Row,Cathode Column				
Any two of available colors can be combined		Blue	465	3.1	50
OSL642375-AXX(X)	OSL642375-BXX(X)	Pure Green	525	3.1	200
		Yellow Green	571	2.1	12
		Yellow	590	2.1	60
		Orange	605	2.1	70
		Red	630	2.1	26
		Super Bright Red	625	2.1	100

Package Dimension / Internal Circuit

2.37" 8x8 dot matrix display

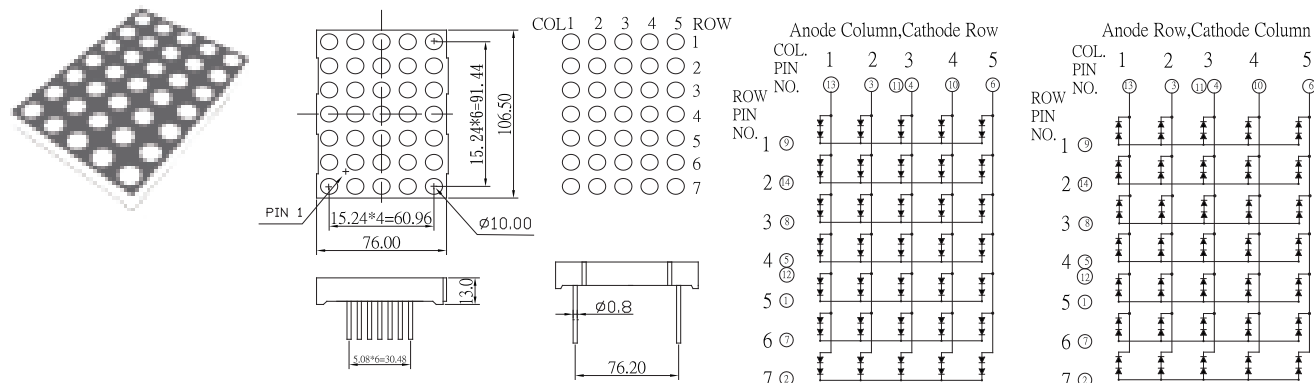


Part Number		Color	Wavelength(nm) λ D @ IF=20mA	V _f (V) @ IF=20mA	I _v (mcd) @ IF=20mA
Anode Column,Cathode Row	Anode Row,Cathode Column				
Any three of available colors can be combined		Blue	465	3.1	50
OSL642372-AXXX(X)	OSL642372-BXXX(X)	Pure Green	525	3.1	200
		Yellow Green	571	2.1	12
		Yellow	590	2.1	60
		Orange	605	2.1	70
		Red	630	2.1	26
		Super Bright Red	625	2.1	100

Dot Matrix

Package Dimension / Internal Circuit

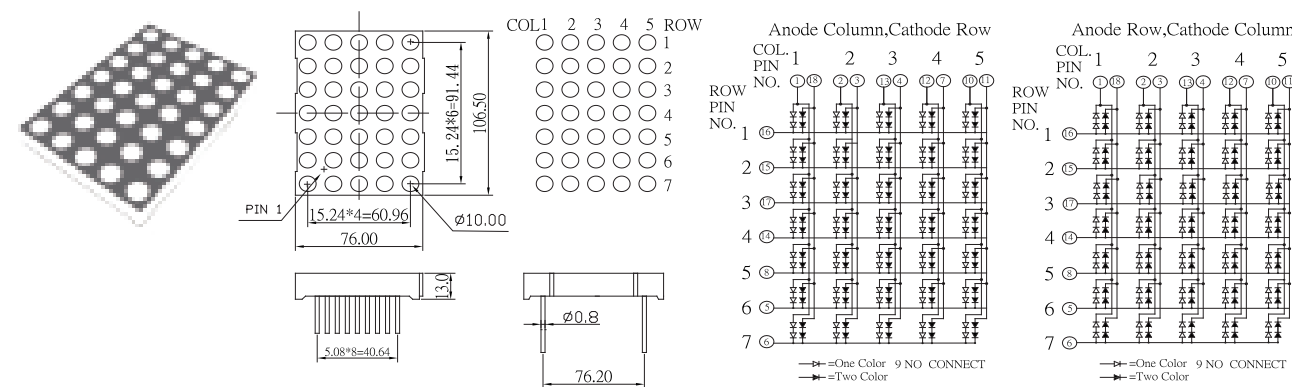
4.2" 5x7 dot matrix display



Part Number		Color	Wavelength(nm) λ D @ IF=20mA	V _F (V) @ IF=20mA	I _v (mcd) @ IF=20mA
Anode Column,Cathode Row	Anode Row,Cathode Column				
OSL354202-AW	OSL354202-BW	White	10000K	6.2	65
OSL354202-AB	OSL354202-BB	Blue	465	6.2	50
OSL354202-AG	OSL354202-BG	Pure Green	525	6.2	200
OSL354202-AYG	OSL354202-BYG	Yellow Green	571	4.2	12
OSL354202-AY	OSL354202-BY	Yellow	590	4.2	60
OSL354202-AO	OSL354202-BO	Orange	605	4.2	70
OSL354202-AR	OSL354202-BR	Red	630	4.2	26
OSL354202-ARA	OSL354202-BRA	Super Bright Red	625	4.2	100

Package Dimension / Internal Circuit

4.2" 5x7 bi-color dot matrix display

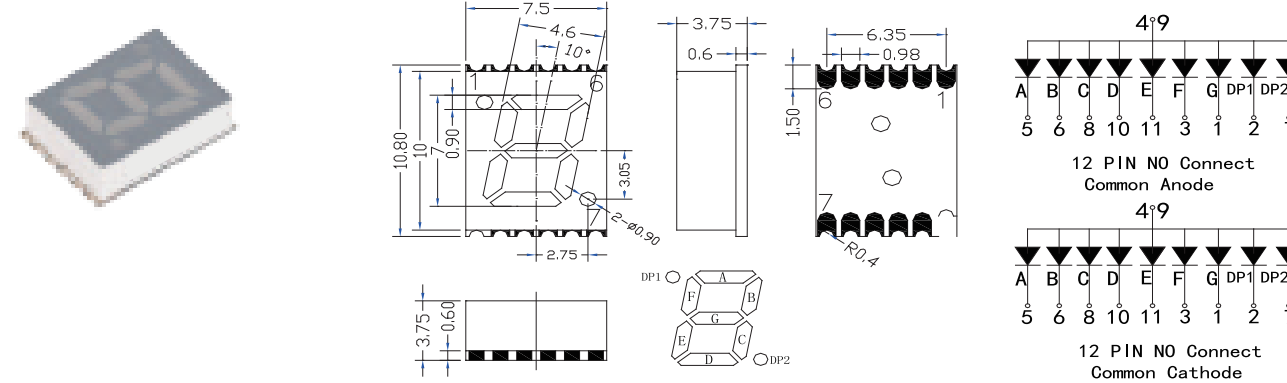


Part Number		Color	Wavelength(nm) λ D @ IF=20mA	V _F (V) @ IF=20mA	I _v (mcd) @ IF=20mA
Anode Column,Cathode Row	Anode Row,Cathode Column				
Any two of available colors can be combined		White	10000K	6.2	65
OSL354201-AXX(X)	OSL354201-BXX(X)	Blue	465	6.2	50
		Pure Green	525	6.2	200
		Yellow Green	571	4.2	12
		Yellow	590	4.2	60
		Orange	605	4.2	70
		Red	630	4.2	26
Super Bright Red	625	4.2	100		

SMD Display

Package Dimension / Internal Circuit

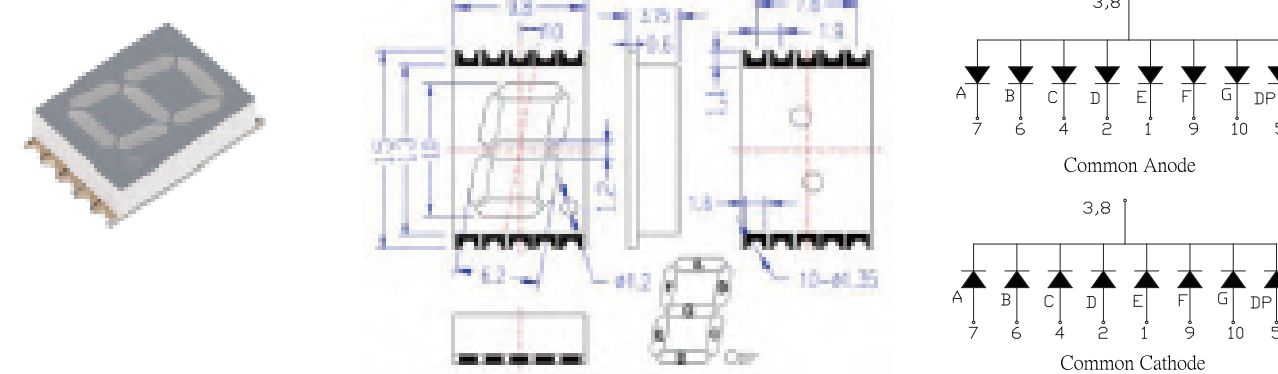
0.28" Single digit SMD display



Part Number		Color	Wavelength(nm) λ D @ IF=20mA	V _F (V) @ IF=20mA	I _v (mcd) @ IF=10mA
Common Anode	Common Cathode				
OSK1028A-IB	OSK1028A-LB	Blue	470	3.1	9
OSK1028A-IG	OSK1028A-LG	Pure Green	520	3.1	10
OSK1028A-IYG	OSK1028A-LYG	Yellow Green	570	2.1	6
OSK1028A-IY	OSK1028A-LY	Yellow	590	2.1	6
OSK1028A-IO	OSK1028A-LO	Orange	605	2.1	6
OSK1028A-IR	OSK1028A-LR	Red	630	2.1	6

Package Dimension / Internal Circuit

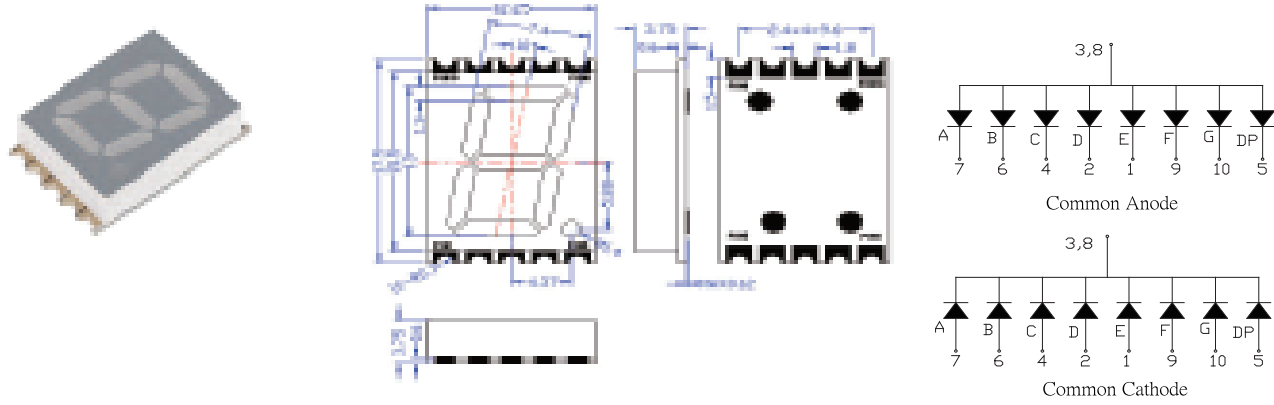
0.39" Single digit SMD display



Part Number		Color	Wavelength(nm) λ D @ IF=20mA	V _F (V) @ IF=20mA	I _v (mcd) @ IF=10mA
Common Anode	Common Cathode				
OSK1039A-IW	OSK1039A-LW	White	8000K	3.1	50
OSK1039A-IB	OSK1039A-LB	Blue	470	3.1	10
OSK1039A-IG	OSK1039A-LG	Pure Green	520	3.1	15
OSK1039A-IYG	OSK1039A-LYG	Yellow Green	570	2.1	9
OSK1039A-IY	OSK1039A-LY	Yellow	590	2.1	10
OSK1039A-IO	OSK1039A-LO	Orange	605	2.1	10
OSK1039A-IR	OSK1039A-LR	Red	630	2.1	9

SMD Display
Package Dimension / Internal Circuit

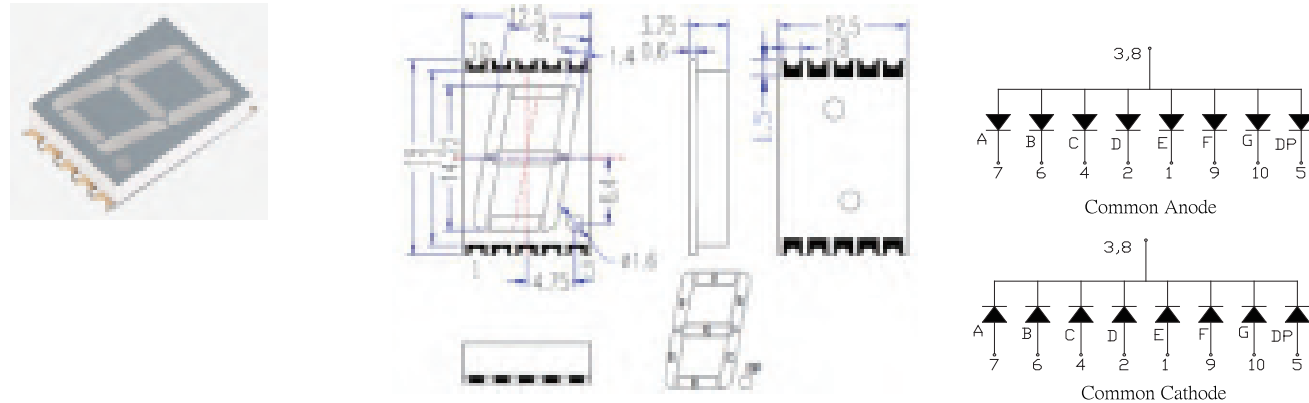
0.51" Single digit SMD display



Part Number		Color	Wavelength(nm) λ D @ IF=20mA	V _F (V) @ IF=20mA	I _v (mcd) @ IF=10mA
Common Anode	Common Cathode				
OSK1051A-IW	OSK1051A-LW	White	8000K	3.1	60
OSK1051A-IB	OSK1051A-LB	Blue	470	3.1	12
OSK1051A-IG	OSK1051A-LG	Pure Green	520	3.1	24
OSK1051A-IYG	OSK1051A-LYG	Yellow Green	570	2.1	6
OSK1051A-IY	OSK1051A-LY	Yellow	590	2.1	9
OSK1051A-IO	OSK1051A-LO	Orange	605	2.1	9
OSK1051A-IR	OSK1051A-LR	Red	630	2.1	9

Package Dimension / Internal Circuit

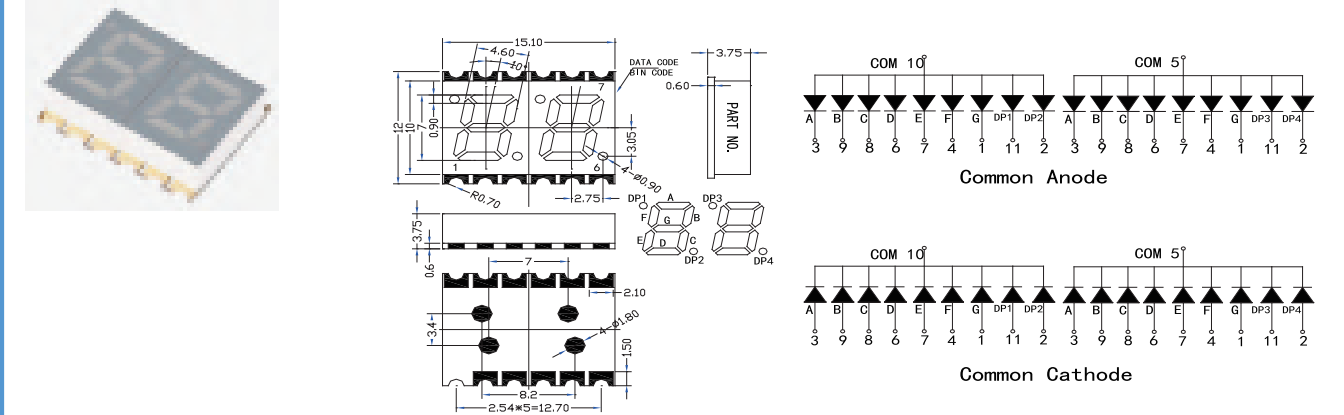
0.56" Single digit SMD display



Part Number		Color	Wavelength(nm) λ D @ IF=20mA	V _F (V) @ IF=20mA	I _v (mcd) @ IF=10mA
Common Anode	Common Cathode				
OSK1056A-IW	OSK1056A-LW	White	8000K	3.1	65
OSK1056A-IB	OSK1056A-LB	Blue	470	3.1	16
OSK1056A-IG	OSK1056A-LG	Pure Green	520	3.1	24
OSK1056A-IYG	OSK1056A-LYG	Yellow Green	570	2.1	13
OSK1056A-IY	OSK1056A-LY	Yellow	590	2.1	16
OSK1056A-IO	OSK1056A-LO	Orange	605	2.1	16
OSK1056A-IR	OSK1056A-LR	Red	630	2.1	13

SMD Display
Package Dimension / Internal Circuit

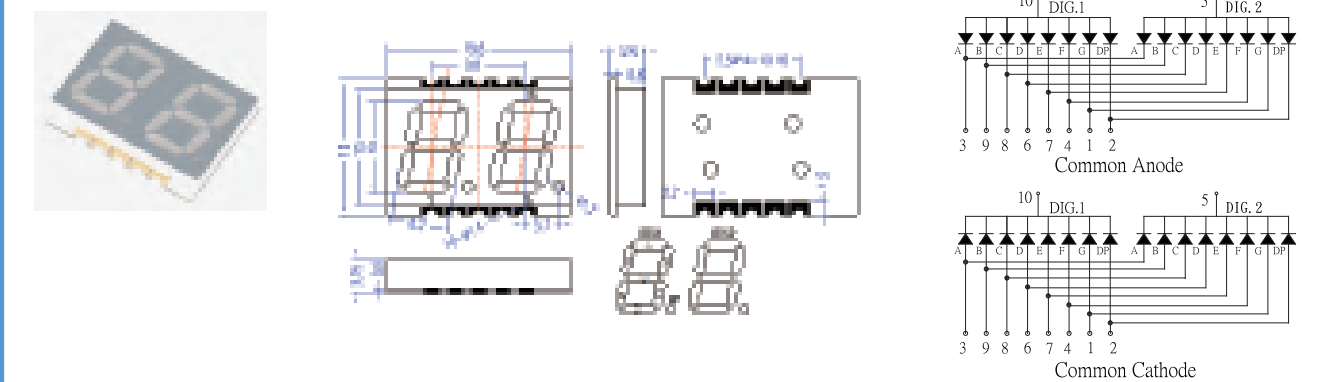
0.28" Dual digits SMD display



Part Number		Color	Wavelength(nm) λ D @ IF=20mA	V _F (V) @ IF=20mA	I _v (mcd) @ IF=10mA
Common Anode	Common Cathode				
OSK2028A-IB	OSK2028A-LB	Blue	470	3.1	9
OSK2028A-IG	OSK2028A-LG	Pure Green	520	3.1	10
OSK2028A-IYG	OSK2028A-LYG	Yellow Green	570	2.1	6
OSK2028A-IY	OSK2028A-LY	Yellow	590	2.1	6
OSK2028A-IO	OSK2028A-LO	Orange	605	2.1	6
OSK2028A-IR	OSK2028A-LR	Red	630	2.1	6

Package Dimension / Internal Circuit

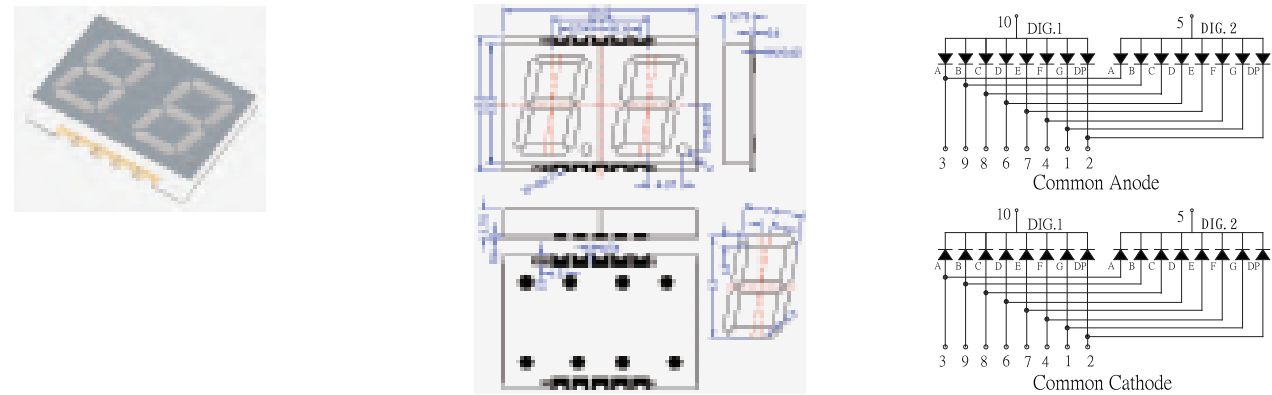
0.39" Dual digits SMD display



Part Number		Color	Wavelength(nm) λ D @ IF=20mA	V _F (V) @ IF=20mA	I _v (mcd) @ IF=10mA
Common Anode	Common Cathode				
OSK2039A-IW	OSK2039A-LW	White	8000K	3.1	50
OSK2039A-IB	OSK2039A-LB	Blue	470	3.1	10
OSK2039A-IG	OSK2039A-LG	Pure Green	520	3.1	15
OSK2039A-IYG	OSK2039A-LYG	Yellow Green	570	2.1	9
OSK2039A-IY	OSK2039A-LY	Yellow	590	2.1	10
OSK2039A-IO	OSK2039A-LO	Orange	605	2.1	10
OSK2039A-IR	OSK2039A-LR	Red	630	2.1	9

SMD Display
Package Dimension / Internal Circuit

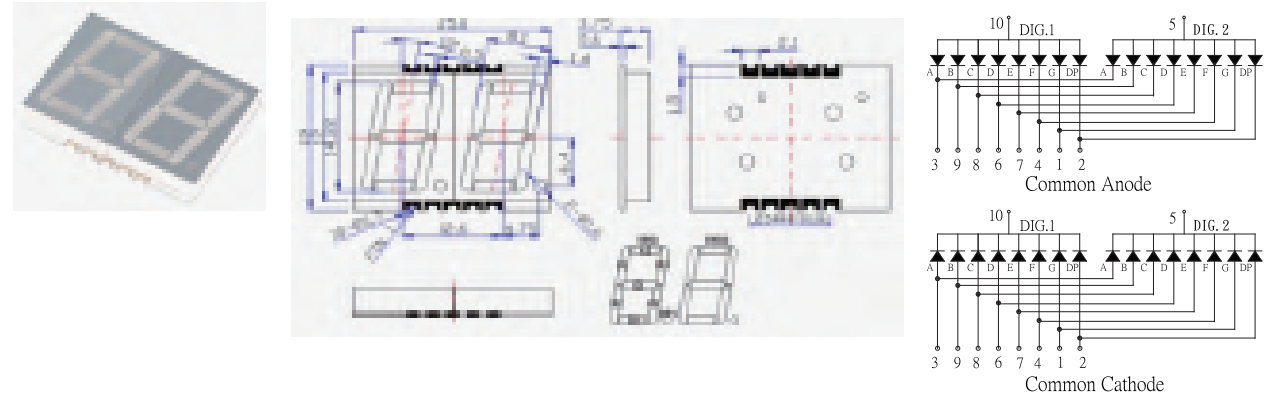
0.51" Dual digits SMD display



Part Number		Color	Wavelength(nm) λ D @ IF=20mA	V _F (V) @ IF=20mA	I _v (mcd) @ IF=10mA
Common Anode	Common Cathode				
OSK2051A-IW	OSK2051A-LW	White	8000K	3.1	60
OSK2051A-IB	OSK2051A-LB	Blue	470	3.1	12
OSK2051A-IG	OSK2051A-LG	Pure Green	520	3.1	24
OSK2051A-IYG	OSK2051A-LYG	Yellow Green	570	2.1	6
OSK2051A-IY	OSK2051A-LY	Yellow	590	2.1	9
OSK2051A-IO	OSK2051A-LO	Orange	605	2.1	9
OSK2051A-IR	OSK2051A-LR	Red	630	2.1	9

Package Dimension / Internal Circuit

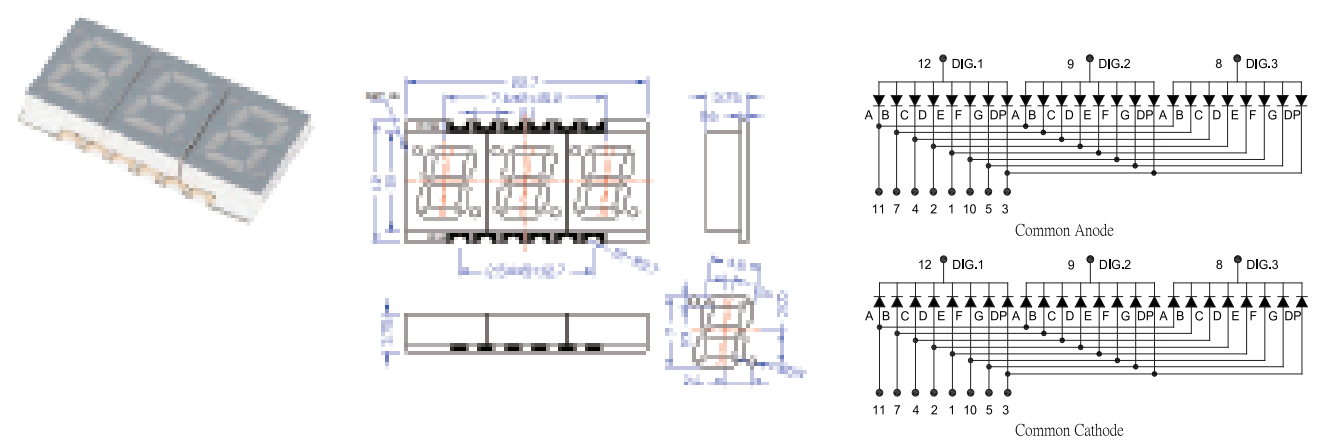
0.56" Dual digits SMD display



Part Number		Color	Wavelength(nm) λ D @ IF=20mA	V _F (V) @ IF=20mA	I _v (mcd) @ IF=10mA
Common Anode	Common Cathode				
OSK2056A-IW	OSK2056A-LW	White	8000K	3.1	65
OSK2056A-IB	OSK2056A-LB	Blue	470	3.1	16
OSK2056A-IG	OSK2056A-LG	Pure Green	520	3.1	24
OSK2056A-IYG	OSK2056A-LYG	Yellow Green	570	2.1	13
OSK2056A-IY	OSK2056A-LY	Yellow	590	2.1	16
OSK2056A-IO	OSK2056A-LO	Orange	605	2.1	16
OSK2056A-IR	OSK2056A-LR	Red	630	2.1	13

SMD Display
Package Dimension / Internal Circuit

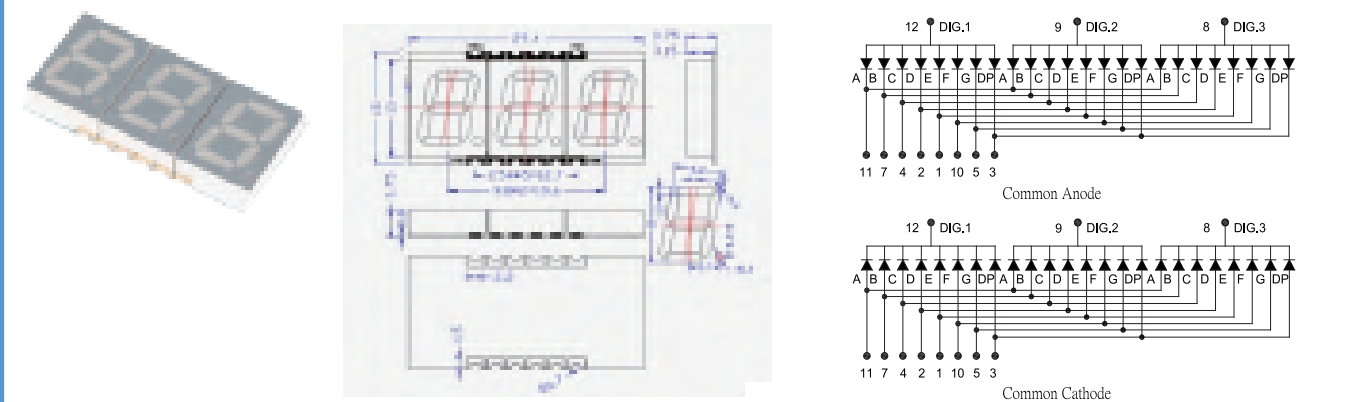
0.28" Three digits SMD display



Part Number		Color	Wavelength(nm) λ D @ IF=20mA	V _F (V) @ IF=20mA	I _v (mcd) @ IF=10mA
Common Anode	Common Cathode				
OSK3028A-IB	OSK3028A-LB	Blue	470	3.1	9
OSK3028A-IG	OSK3028A-LG	Pure Green	520	3.1	10
OSK3028A-IYG	OSK3028A-LYG	Yellow Green	570	2.1	6
OSK3028A-IY	OSK3028A-LY	Yellow	590	2.1	6
OSK3028A-IO	OSK3028A-LO	Orange	605	2.1	6
OSK3028A-IR	OSK3028A-LR	Red	630	2.1	6

Package Dimension / Internal Circuit

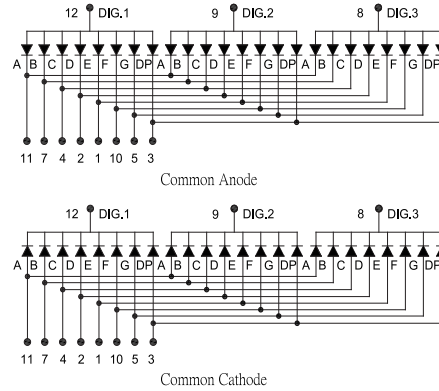
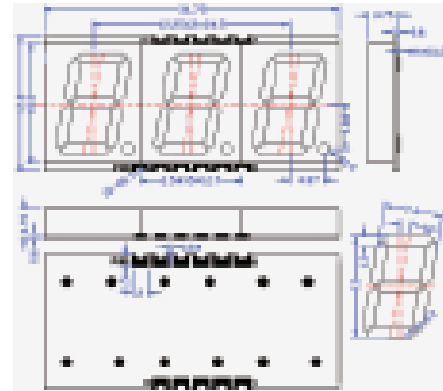
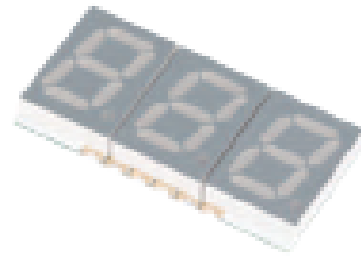
0.39" Three digits SMD display



Part Number		Color	Wavelength(nm) λ D @ IF=20mA	V _F (V) @ IF=20mA	I _v (mcd) @ IF=10mA
Common Anode	Common Cathode				
OSK3039A-IW	OSK3039A-LW	White	8000K	3.1	50
OSK3039A-IB	OSK3039A-LB	Blue	470	3.1	10
OSK3039A-IG	OSK3039A-LG	Pure Green	520	3.1	15
OSK3039A-IYG	OSK3039A-LYG	Yellow Green	570	2.1	9
OSK3039A-IY	OSK3039A-LY	Yellow	590	2.1	10
OSK3039A-IO	OSK3039A-LO	Orange	605	2.1	10
OSK3039A-IR	OSK3039A-LR	Red	630	2.1	9

SMD Display
Package Dimension / Internal Circuit

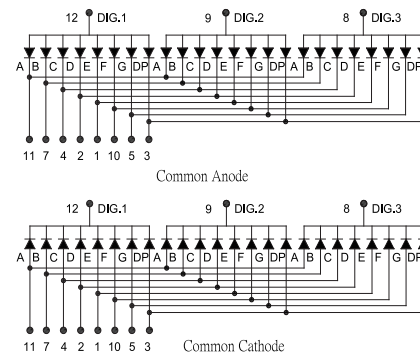
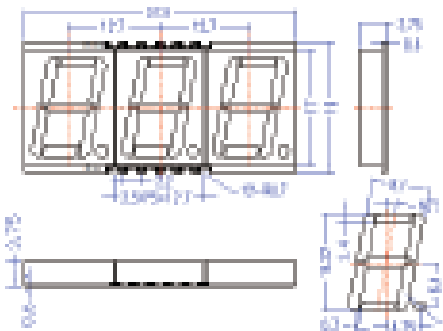
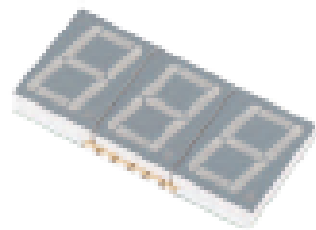
0.51" Three digits SMD display



Part Number		Color	Wavelength(nm) λ D @ IF=20mA	V _F (V) @ IF=20mA	I _v (mcd) @ IF=10mA
Common Anode	Common Cathode				
OSK3051A-IW	OSK3051A-LW	White	8000K	3.1	60
OSK3051A-IB	OSK3051A-LB	Blue	470	3.1	12
OSK3051A-IG	OSK3051A-LG	Pure Green	520	3.1	24
OSK3051A-IYG	OSK3051A-LYG	Yellow Green	570	2.1	6
OSK3051A-IY	OSK3051A-LY	Yellow	590	2.1	9
OSK3051A-IO	OSK3051A-LO	Orange	605	2.1	9
OSK3051A-IR	OSK3051A-LR	Red	630	2.1	9

Package Dimension / Internal Circuit

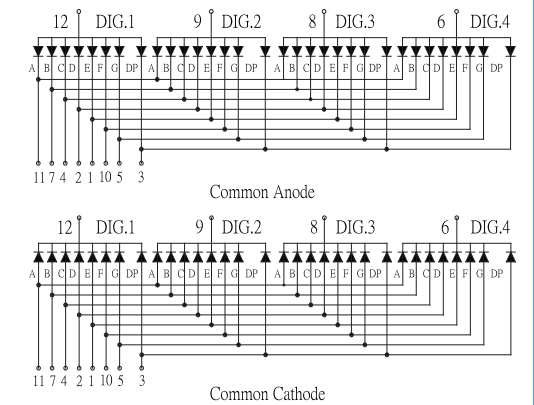
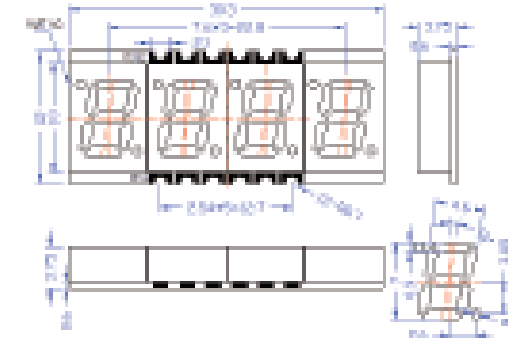
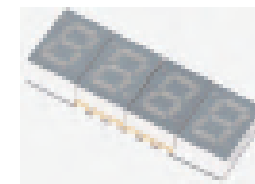
0.56" Three digits SMD display



Part Number		Color	Wavelength(nm) λ D @ IF=20mA	V _F (V) @ IF=20mA	I _v (mcd) @ IF=10mA
Common Anode	Common Cathode				
OSK3056A-IW	OSK3056A-LW	White	8000K	3.1	65
OSK3056A-IB	OSK3056A-LB	Blue	470	3.1	16
OSK3056A-IG	OSK3056A-LG	Pure Green	520	3.1	24
OSK3056A-IYG	OSK3056A-LYG	Yellow Green	570	2.1	13
OSK3056A-IY	OSK3056A-LY	Yellow	590	2.1	16
OSK3056A-IO	OSK3056A-LO	Orange	605	2.1	16
OSK3056A-IR	OSK3056A-LR	Red	630	2.1	13

SMD Display
Package Dimension / Internal Circuit

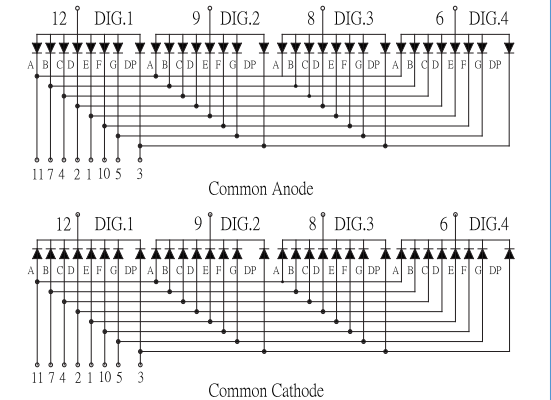
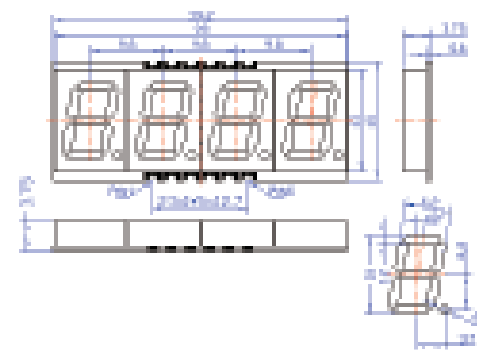
0.28" Four digits SMD display



Part Number		Color	Wavelength(nm) λ D @ IF=20mA	V _F (V) @ IF=20mA	I _v (mcd) @ IF=10mA
Common Anode	Common Cathode				
OSK4028A-IB	OSK4028A-LB	Blue	470	3.1	9
OSK4028A-IG	OSK4028A-LG	Pure Green	520	3.1	10
OSK4028A-IYG	OSK4028A-LYG	Yellow Green	570	2.1	6
OSK4028A-IY	OSK4028A-LY	Yellow	590	2.1	6
OSK4028A-IO	OSK4028A-LO	Orange	605	2.1	6
OSK4028A-IR	OSK4028A-LR	Red	630	2.1	6

Package Dimension / Internal Circuit

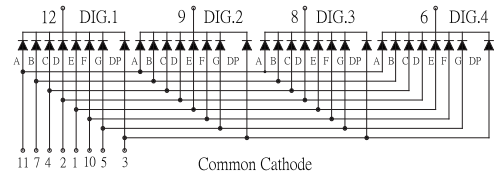
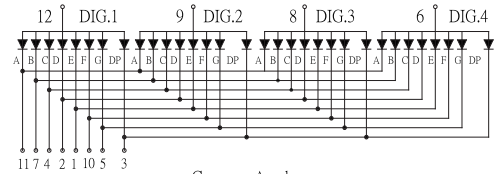
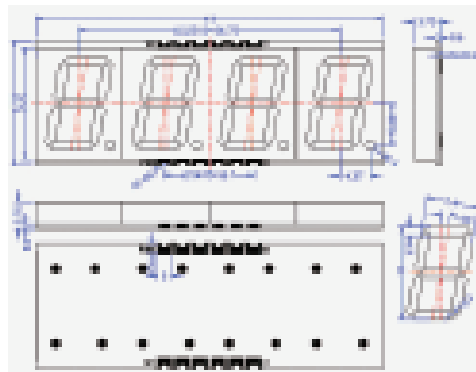
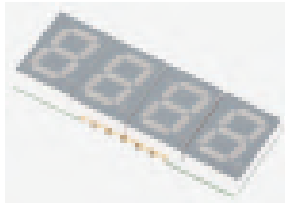
0.39" Four digits SMD display



Part Number		Color	Wavelength(nm) λ D @ IF=20mA	V _F (V) @ IF=20mA	I _v (mcd) @ IF=10mA
Common Anode	Common Cathode				
OSK4039A-IW	OSK4039A-LW	White	8000K	3.1	50
OSK4039A-IB	OSK4039A-LB	Blue	470	3.1	10
OSK4039A-IG	OSK4039A-LG	Pure Green	520	3.1	15
OSK4039A-IYG	OSK4039A-LYG	Yellow Green	570	2.1	9
OSK4039A-IY	OSK4039A-LY	Yellow	590	2.1	10
OSK4039A-IO	OSK4039A-LO	Orange	605	2.1	10
OSK4039A-IR	OSK4039A-LR	Red	630	2.1	9

Package Dimension / Internal Circuit

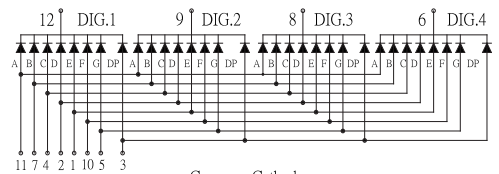
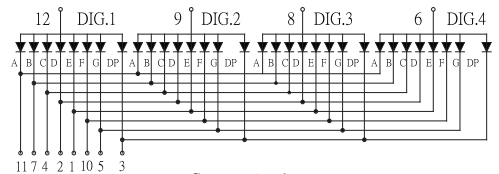
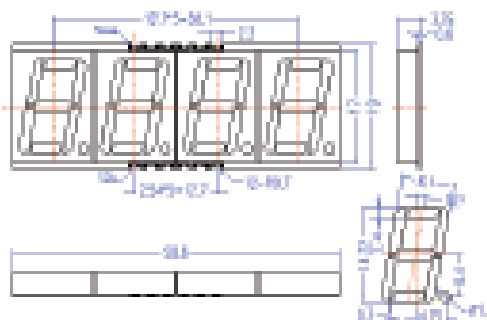
0.51" Four digits SMD display



Part Number		Color	Wavelength(nm) λ D @ IF=20mA	V_F (V) @ IF=20mA	I_v (mcd) @ IF=10mA
Common Anode	Common Cathode				
OSK4051A-IW	OSK4051A-LW	White	8000K	3.1	60
OSK4051A-IB	OSK4051A-LB	Blue	470	3.1	12
OSK4051A-IG	OSK4051A-LG	Pure Green	520	3.1	24
OSK4051A-IYG	OSK4051A-LYG	Yellow Green	570	2.1	6
OSK4051A-IY	OSK4051A-LY	Yellow	590	2.1	9
OSK4051A-IO	OSK4051A-LO	Orange	605	2.1	9
OSK4051A-IR	OSK4051A-LR	Red	630	2.1	9

Package Dimension / Internal Circuit

0.56" Four digits SMD display



Part Number		Color	Wavelength(nm) λ D @ IF=20mA	V_F (V) @ IF=20mA	I_v (mcd) @ IF=10mA
Common Anode	Common Cathode				
OSK4056A-IW	OSK4056A-LW	White	8000K	3.1	65
OSK4056A-IB	OSK4056A-LB	Blue	470	3.1	16
OSK4056A-IG	OSK4056A-LG	Pure Green	520	3.1	24
OSK4056A-IYG	OSK4056A-LYG	Yellow Green	570	2.1	13
OSK4056A-IY	OSK4056A-LY	Yellow	590	2.1	16
OSK4056A-IO	OSK4056A-LO	Orange	605	2.1	16
OSK4056A-IR	OSK4056A-LR	Red	630	2.1	13